



**Specifications**

Length : 986mm / 38.82in	Height : 321mm / 12.64in	Width (Landing strut) : 158mm / 6.22in
Flying Weight : 2,300g / 5.07lb or more		
Main Rotor Dia. : 1,142mm / 44.96in	Tail Rotor Dia. : 220mm / 8.6in	
Gear Ratio : 13.6 : 1 : 4.26(T11)	Control System : CCPM140°	
12.5 : 1 : 4.26(T12)	Tail Drive System : Shaft Drive	

This photo depicts an assembled model

**CONTENTS**

1. INTRODUCTION.....P.2-P.5

2. ADDITIONAL ITEMS REQUIRED.....P.5

3. TOOLS REQUIRED FOR ASSEMBLY, USEFUL TOOLS, UNIVERSAL LINKS, INDICATION OF TEMPORARY FIXATION...P.6

4. PREVENTION OF LOOSENED BOLTS, EPOXY ADHESIVE AGENT, INSTANT ADHESIVE AGENT.....P.7

5. ASSEMBLY PROCEDURE 1..... P.8-P.10

6. ASSEMBLY PROCEDURE 2.....P.10-P.13

7. ASSEMBLY PROCEDURE 3.....P.14-P.15

8. ASSEMBLY PROCEDURE 4.....P.16-P.19

9. ASSEMBLY PROCEDURE 5.....P.19-P.21

10. WHEN REPAIR IS NECESSARY.....P.22-P.26

11. INSTALLATION EXAMPLES FOR BATTERY.....P.27

12. CHOOSING THE BATTERY.....P.28

13. OVERALL BASIC ADJUSTMENT AFTER ASSEMBLY.....P.29-P.30

14. SETTING AND ADJUSTMENT OF THE TRANSMITTER.....P.30-P.34

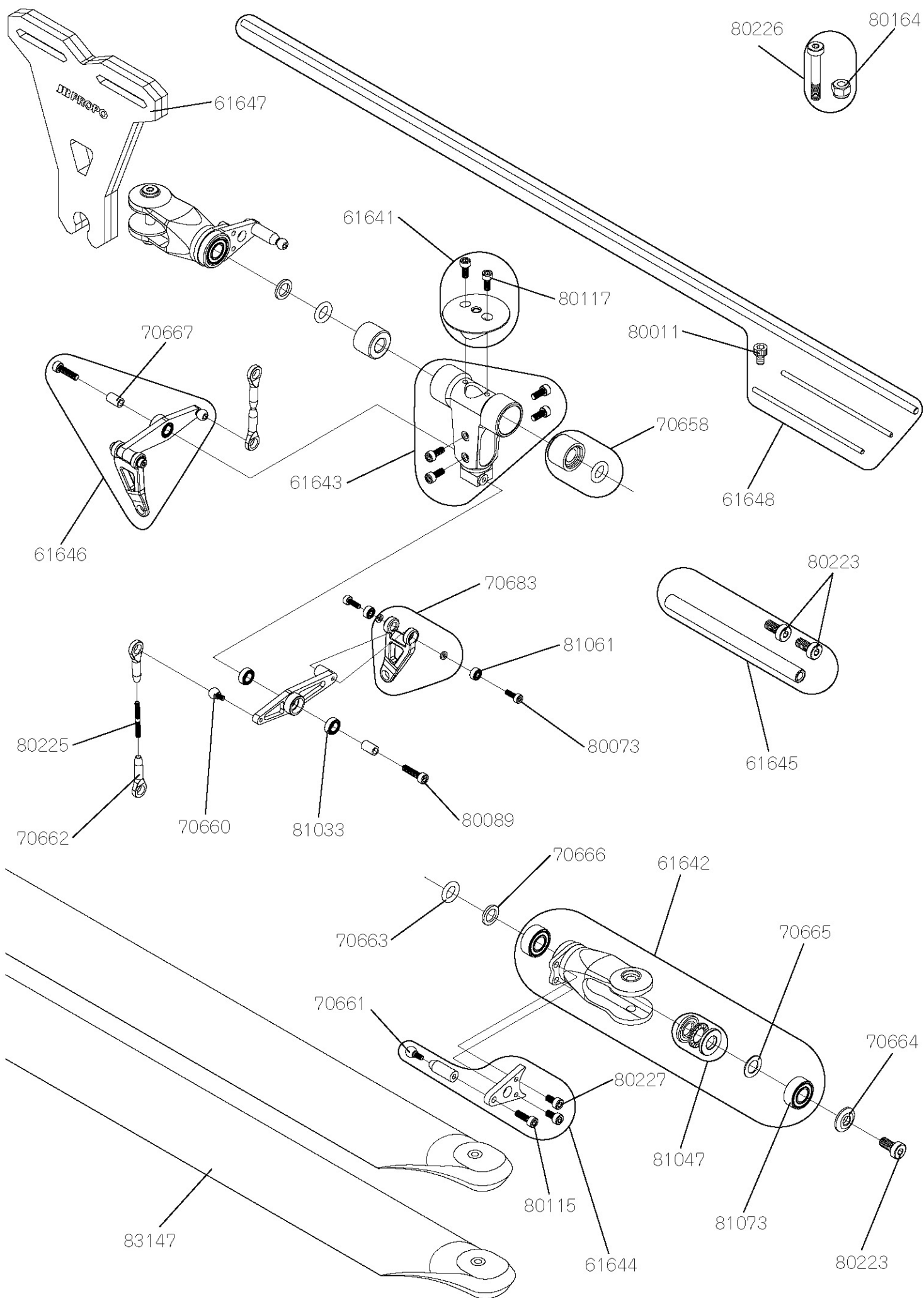
15. FINAL CHECKS PRIOR TO FLIGHT.....P.34

16. CHANGES FOLLOWING THE TEST FLIGHT.....P.35

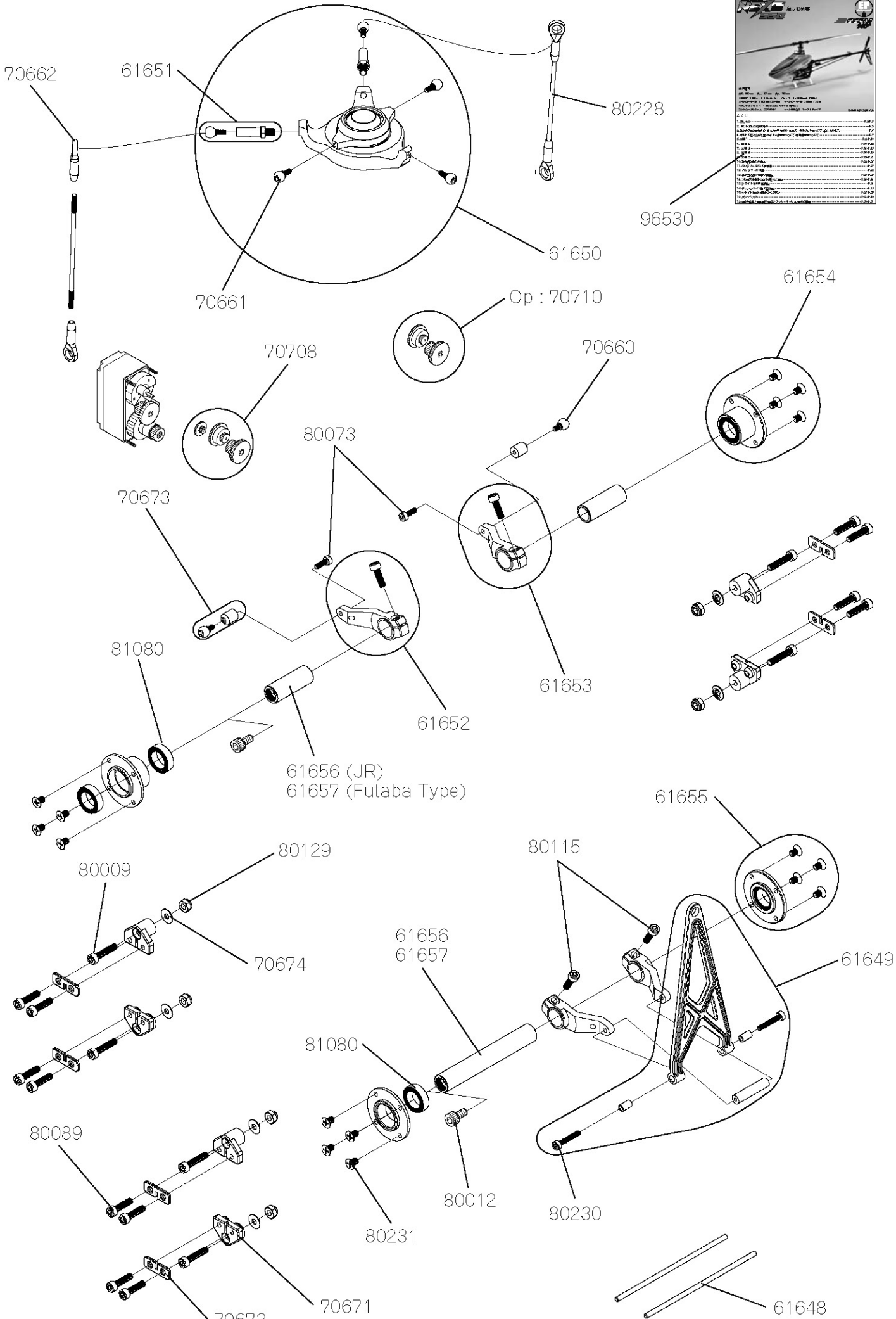
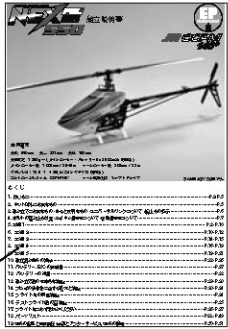
17. BE SURE TO READ PRIOR TO FLIGHT.....P.36-P.37

18. PARTS LISTS.....P.38.-P.49

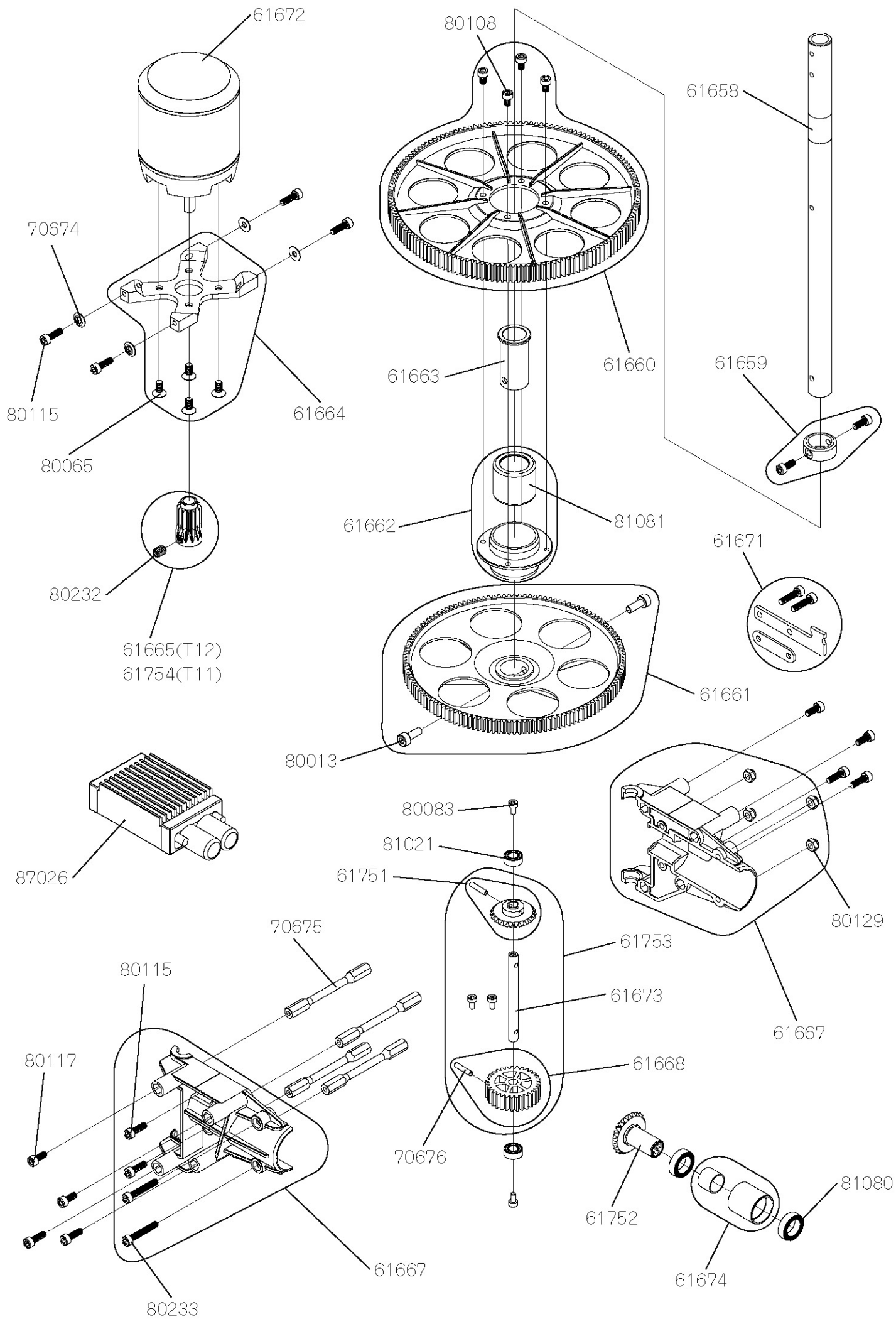
19. PRODUCT WARRANTY AND INDEMNIFICATION OF LIABILITY, REPAIR AND AFTER-SALES SERVICE, TRANSFER OF THE PRODUCT...P.50



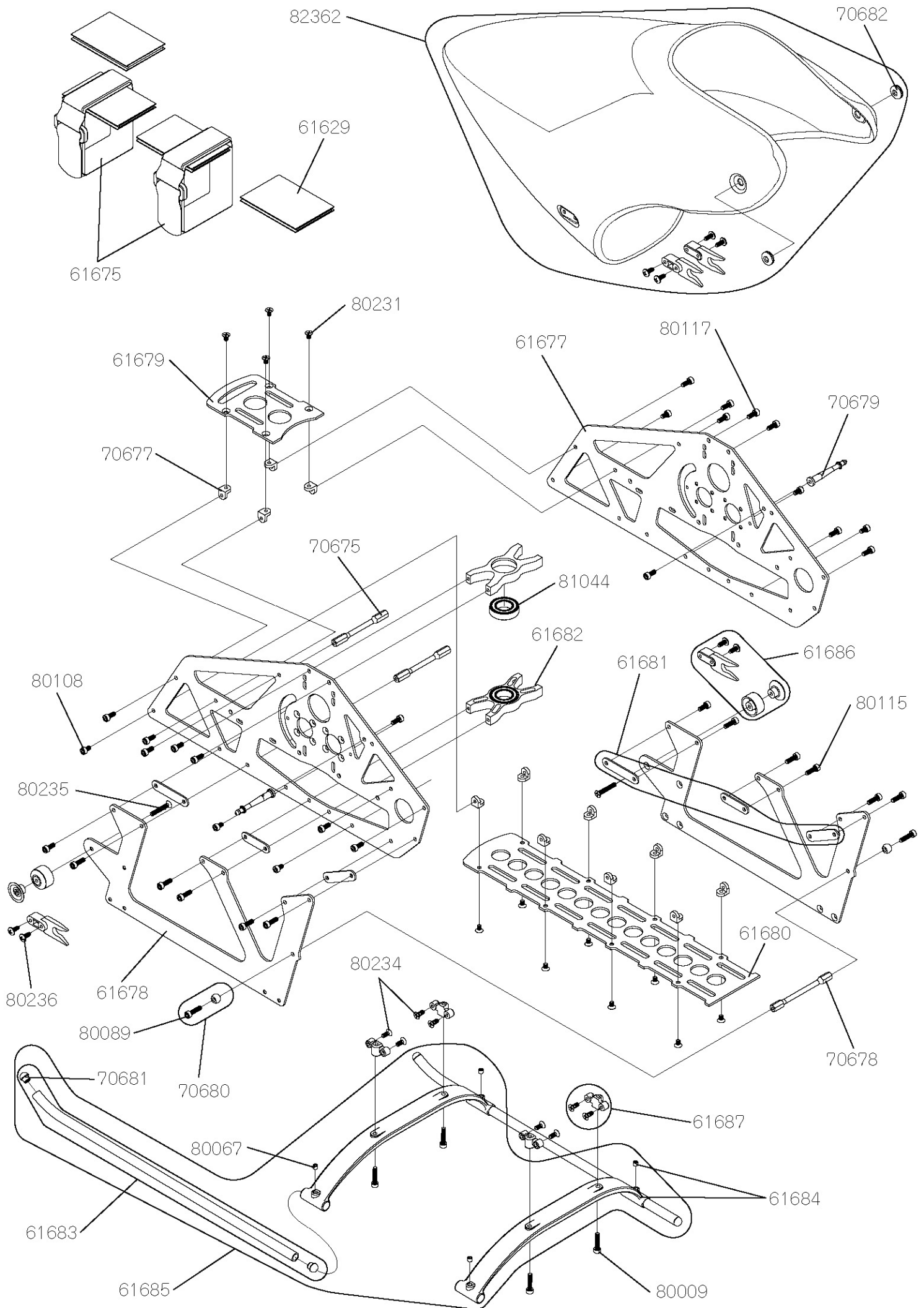
Item #	Description	Quantity	Note
61641	Head Button	1	w/Socket Head Bolt M2.6 × 6
61642	Main Blade Holder Assembly	1	w/Bearing · Thrust Bearing · Washer For 1 set
61643	Center Hub	1	w/Socket Head Bolt M2.6 × 6
61644	Pitch Arm Plate Set	1	w/Joint Ball Spacer t13.5 · Socket Head Bolt
61645	Spindle Shaft	1	w/Low Profile Socket Head Bolt M4 × 8
61646	Washout Arm Assembly	1	w/Bearing · Washout Link · Bolt For 1 set
61647	Blade Holder	1	
61648	Adjustment Parts Set	1	Pitch Adjustment Bar · Alignment Pin · Socket Head Bolt
70658	Rigid Collar Set	2	w/O-Ring 5.8 × 9.6 × 1.9 For 1 kit
70660	Joint Ball Screw L3	5	
70661	Joint Ball Screw L4	5	
70662	Universal Link M2	10	
70663	O-ring 5.8 × 9.6 × 1.9	4	
70664	Washer 4 × 11 × 1.7	2	
70665	Washer 6 × 10 × 0.5	2	
70666	Spacer 6 × 9 × 1	2	
70667	Collar 2.6 × 4 × L6.5	2	
70683	Washout Link	2	w/Washer 2 × 3.5 × 0.7 For 1 kit
80011	Socket Head Bolt M3 × 5	10	
80073	Socket Head Bolt M2 × 6	10	
80089	Socket Head Bolt M2.6 × 10	10	
80115	Socket Head Bolt M2.6 × 8	10	
80117	Socket Head Bolt M2.6 × 6	10	
80164	Nylon Lock Nut M4 (t3.8)	10	
80223	Low Profile Socket Head Bolt M4 × 8	10	
80225	Threaded Rod M2 × 18	2	
80226	Main Blade Bolts Set	1	M4 × 24 For 1 kit
80227	Socket Head Bolt M2.6 × 5	10	
81033	Shielded Bearing 4 × 7 × 2.5	2	L-740ZZ
81047	Thrust Bearing 6 × 12 × 4.5	2	DDT-1260DSG
81061	Shielded Bearing 2 × 5 × 2.3	2	L-520ZZ
81073	Shielded Bearing 6 × 13 × 5	2	L-1360ZZ
83147	Carbon Main Rotor Blades 510	2	



Item #	Description	Quantity	Note
61648	Adjustment Parts Set	1	Pitch Adjustment Bar · Alignment Pin
61649	A-Arm	1	w/A-Arm Collar · A-Arm Inner Collar · Bolts
61650	140° Swashplate Assembly	1	Color : Red w/Swashplate Arm · Joint Ball Screw L4
61651	Swashplate Arm	2	w/Joint Ball Screw L4
61652	Control Lever L	1	Color : Red w/Socket Head Bolt M2.6 × 8
61653	Control Lever R	1	Color : Red w/Socket Head Bolt M2.6 × 8
61654	Control Lever Bearing Block A	1	w/8 × 12 × 3.5 Bearing · Flat Head Screw M2.6 × 4
61655	Control Lever Bearing Block B	1	w/8 × 12 × 3.5 Bearing · Flat Head Screw M2.6 × 4
61656	Control Lever Shaft Set (JR)	1	A · B · Servo Horn Inner For 1 kit
61657	Control Lever Shaft Set (Futaba Type)	1	A · B · Servo Horn Inner For 1 kit Optional
70660	Joint Ball Screw L3	5	
70661	Joint Ball Screw L4	5	
70662	Universal Link M2	10	
70671	Servo Mount C	6	For 1 kit
70672	Servo Mount Plate D	10	Color : Red
70673	Joint Ball Spacer t6.2	2	w/Joint Ball Screw L3
70674	Washer M2.6 × 6.5 × t0.8	10	
70708	Swash Servo Plastic Gear Set (DS11)	3	For 1 kit
70710	Swash Servo Metal Gear Set (DS11)	3	For 1 kit Optional
80009	Socket Head Bolt M2.6 × 12	10	
80012	Socket Head Bolt M3 × 6	10	
80073	Socket Head Bolt M2 × 6	10	
80089	Socket Head Bolt M2.6 × 10	10	
80115	Socket Head Bolt M2.6 × 8	10	
80129	Nylon Lock Nut M2.6	10	
80228	Threaded Rod M2 × 60	2	
80230	Socket Head Bolt M2 × 12	10	
80231	Flat Head Screw M2.6 × 4	10	
81080	Shielded Bearing 8 × 12 × 3.5	2	
96530	Assembly Manual (NEX550)	1	w/Radio Setup Info

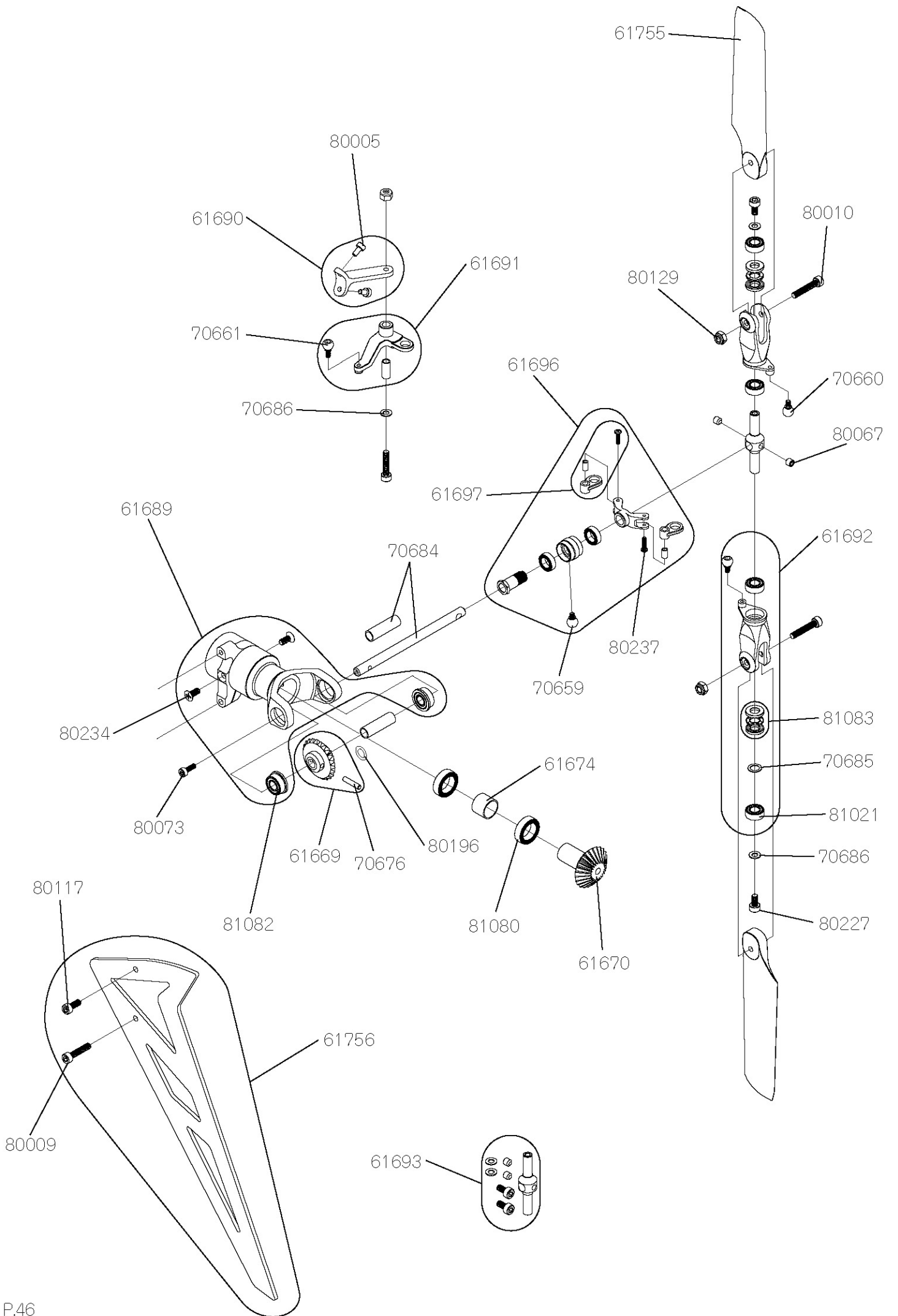


Item #	Description	Quantity	Note
61658	Main Shaft	1	w/Main Shaft Self Locking Nylon Set
61659	Main Shaft Collar	1	w/Socket Head Bolt M2.6 × 6
61660	Main Drive Gear T150	1	w/Socket Head Bolt M2.6 × 4
61661	Tail Drive Gear T132	1	w/Socket Head Bolt M3 × 8
61662	Autorotation Assembly	1	
61663	Autorotation Sleeve	1	
61664	Motor Mount	1	w/Flat Head Screw M3 × 6
61665	Pinion Gear T12	1	w/Setscrew M4 × 5
61667	Tail Gear Unit Set	1	w/Socket Head Bolt M2.6 × 8 · M2.6 × 16 · Nylon Nut
61668	Tail Drive Gear T31	2	w/Tail Shaft Pin
61671	Governor Mount	1	w/Flame Spacer 18 · Socket Head Bolt M2.6 × 12 Optional
61672	Brushless Motor NHM-40-8P	1	KV : 1750
61673	Tail Pinion Gear Shaft	1	w/Tail Shaft Pin
61674	Tail Drive Bearing Holder Set	1	w/Tail Gear Bearing Collar
61751	Tail Bevel Gear A T23 (Metal)	1	w/Tail Shaft Pin
61752	Tail Bevel Gear B T23 (Metal)	1	
61753	Tail Pinion Shaft Assembly	1	for 1 set
61754	Pinion Gear T11	1	w/Setscrew M4 × 5
70674	Washer 2.6 × 6.5 × 0.8	10	
70675	Cross member L47	2	Color : Silver
70676	Tail Shaft Pin	2	2 × 9.5
80013	Socket Head Bolt M3 × 8	10	
80065	Flat Head Screw M3 × 6	10	
80083	Socket Head Bolt M2 × 5	10	
80108	Socket Head Bolt M2.6 × 4	10	
80115	Socket Head Bolt M2.6 × 8	10	
80117	Socket Head Bolt M2.6 × 6	10	
80129	Nylon Lock Nut M2.6	10	
80232	Setscrew M4 × 5	10	
80233	Socket Head Bolt M2.6 × 16	10	
81021	Shielded Bearing 4 × 8 × 3	2	L-840ZZ
81080	Shielded Bearing 8 × 12 × 3.5	2	
81081	One Way Bearing 12 × 18 × 16	1	
87026	ESC NHA-75-SB5	1	75A/BEC 5A

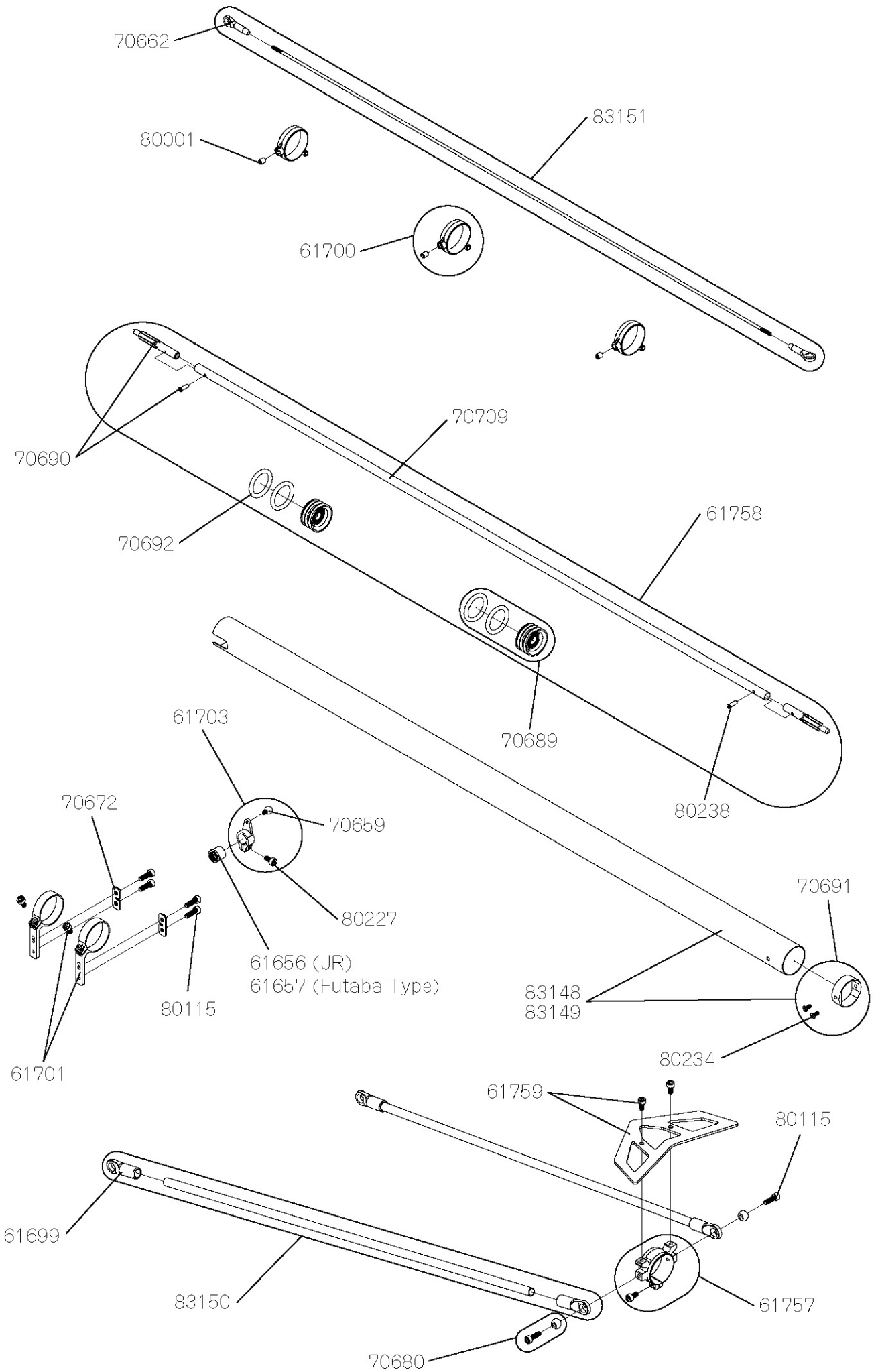




Item #	Description	Quantity	Note
61629	Hook and Loop Fastener L60	2	
61675	Hook and Loop Strap Bk	2	L : 260
61677	Carbon Upper Frame Set	1	L/R
61678	Carbon Lower Frame Set	1	L/R
61679	Carbon Tray S	1	
61680	Carbon Tray L	1	
61681	Main Frame Spacer Set	1	25.1 · 18 For 1 kit
61682	Bearing Block w/Bearing	1	
61683	Landing Skid	2	w/Skid Cap
61684	Landing Strut	2	w/Setscrew M3 × 3
61685	Landing Gear Set	1	For 1 Unit
61686	Body Catch Block Set	1	A · B · Body Catch Plate · Self Tapping Screw For 1 Kit
61687	Landing Strut Bracket	4	w/Flat Head Screw M2.6 × 6
70675	Cross member L47	2	Color : Silver
70677	Mount Bracket	4	
70678	Cross member L52	2	Color : Red
70679	Body Catch L26.5	2	
70680	Tail Boom Support Ball	4	w/Socket Head Bolt M2.6 × 8 · M2.6 × 10
70681	Skid Cap	4	
70682	Rubber Grommet	4	
80009	Socket Head Bolt M2.6 × 12	10	
80067	Setscrew M3 × 3	10	
80089	Socket Head Bolt M2.6 × 10	10	
80108	Socket Head Bolt M2.6 × 4	10	
80115	Socket Head Bolt M2.6 × 8	10	
80117	Socket Head Bolt M2.6 × 6	10	
80231	Flat Head Screw M2.6 × 4	10	
80234	Flat Head Screw M2.6 × 6	10	
80235	Flat Head Screw M2.6 × 16	10	
80236	Self Tapping Screw M2.6 × 6	10	
81044	Shielded Bearing 10 × 19 × 5	2	L-1910ZZ
82362	FRP Body (NEX550)	1	For 1 set



Item #	Description	Quantity	Note
61669	Tail Bevel Gear A T23	2	w/Tail Shaft Pin
61670	Tail Bevel Gear B T23	2	
61674	Tail Drive Bearing Holder Set	1	w/Tail Gear Bearing Collar
61689	Tail Gear Case Assembly	1	w/Bearing · Flat Head Screw M2.6 × 6
61690	Tail Pitch Control Base	1	w/Socket Head Bolt M2 × 4
61691	Tail Pitch Control Lever	1	For 1 set
61692	Tail Blade Holder	2	w/L-840ZZ Bearing · Thrust Bearing For 1 kit
61693	Tail Center Hub	1	w/Socket Head Bolt · Setscrew · Washer
61696	Tail Slide Ring Assembly	1	w/Bearing · Tail PC Plate · Joint Ball Screw L2
61697	Tail PC Link	2	w/Tail PC Link Collar · Pan Head Bolt M1.6 × 6
61755	Carbon Tail Rotor Blade L82	2	
61756	Carbon Vertical Fin	1	w/Socket Head Bolt M2.6 × 12
70659	Joint Ball Screw L2	5	
70660	Joint Ball Screw L3	5	
70661	Joint Ball Screw L4	5	
70676	Tail Shaft Pin	2	2 × 9.5
70684	Tail Output Shaft	1	w/Spacer 4 × 5 × 16.7
70685	Washer 4 × 6 × 0.3	2	
70686	Washer 2.6 × 5 × 0.4	2	
80005	Socket Head Bolt M2 × 4	10	
80009	Socket Head Bolt M2.6 × 12	10	
80010	Socket Head Bolt M2.6 × 15	10	
80067	Setscrew M3 × 3	10	
80073	Socket Head Bolt M2 × 6	10	
80117	Socket Head Bolt M2.6 × 6	10	
80129	Nylon Lock Nut M2.6	10	
80196	Poly Slider 4.1 × 6.5 × 0.13	5	
80227	Socket Head Bolt M2.6 × 5	10	
80234	Flat Head Screw M2.6 × 6	10	
80237	Pan Head Bolt M1.6 × 6	10	
81021	Shielded Bearing 4 × 8 × 3	2	L-840ZZ
81080	Shielded Bearing 8 × 12 × 3.5	2	
81082	Flanged Bearing F 4 × 9 × 4	2	
81083	Thrust Bearing 4 × 8 × 3.5	2	



Item #	Description	Quantity	Note
61656	Control Lever Shaft Set (JR)	1	w/A · B · Servo Horn Inner For 1 kit
61657	Control Lever Shaft Set (Futaba Type)	1	w/A · B · Servo Horn Inner For 1 kit Optional
61699	Tail Boom Brace End	4	
61700	Tail Rod Guide E Set	1	w/Setscrew M3 × 4 For 1 kit
61701	Rudder Servo Mount	2	w/Socket Head Bolt M2.6 × 5
61703	Metal Servo Horn	1	w/Joint Ball Screw L2 · Socket Head Bolt M2.6 × 5
61757	Tail Boom Brace Clamp	1	w/Socket Head Bolt M2.6 × 5
61758	Tail Drive Shaft Set	1	w/Drive Shaft Joint · Shaft Drive Guide
61759	Carbon Horizontal Fin	1	w/Socket Head Bolts
70659	Joint Ball Screw L2	5	
70662	Universal Link M2	10	
70672	Servo Mount Plate D	10	Color : Red
70680	Tail Boom Support Ball	4	w/Socket Head Bolt M2.6 × 8 · M2.6 × 10
70689	Shaft Drive Guide	2	w/5 × 8 × 2.5 Bearing · O-Ring 13.8 × 18.6 × 2.4
70690	Drive Shaft Joint	2	w/Pan Head Bolt M2 × 6
70691	Tail Boom Inner Collar	1	w/Flat Head Screw M2.6 × 6
70692	O-Ring 13.8 × 18.6 × 2.4	4	
70709	Tail Drive Shaft	1	L568
80001	Setscrew M3 × 4	10	
80115	Socket Head Bolt M2.6 × 8	10	
80227	Socket Head Bolt 2.6 × 5	10	
80234	Flat Head Screw M2.6 × 6	10	
80238	Pan Head Bolt M2 × 6	10	
83148	Carbon Tail Boom L568.5	1	w/Tail Boom Inner Collar · Pan Head Bolt M2.6 × 6
83149	Aluminum Tail Boom L568.5	1	Optional
83150	Carbon Tail Boom Brace L400	2	w/Tail Boom Brace End
83151	Tail Control Rod L512	1	w/Universal Link M2

Fly. and catch the sky with JR!

**JR PROPO**®

[www.jrpropo.com](http://www.jrpropo.com)



Sep. 2013

NEX E6-550 Assembly Manual Version 2

The product and the contents of these instructions are subject to change without notice due to improvement.