

PLEASE READ THIS FIRST

JR CCPM
120°



VIBE SG E12 FBL

SUPPLEMENTAL MANUAL



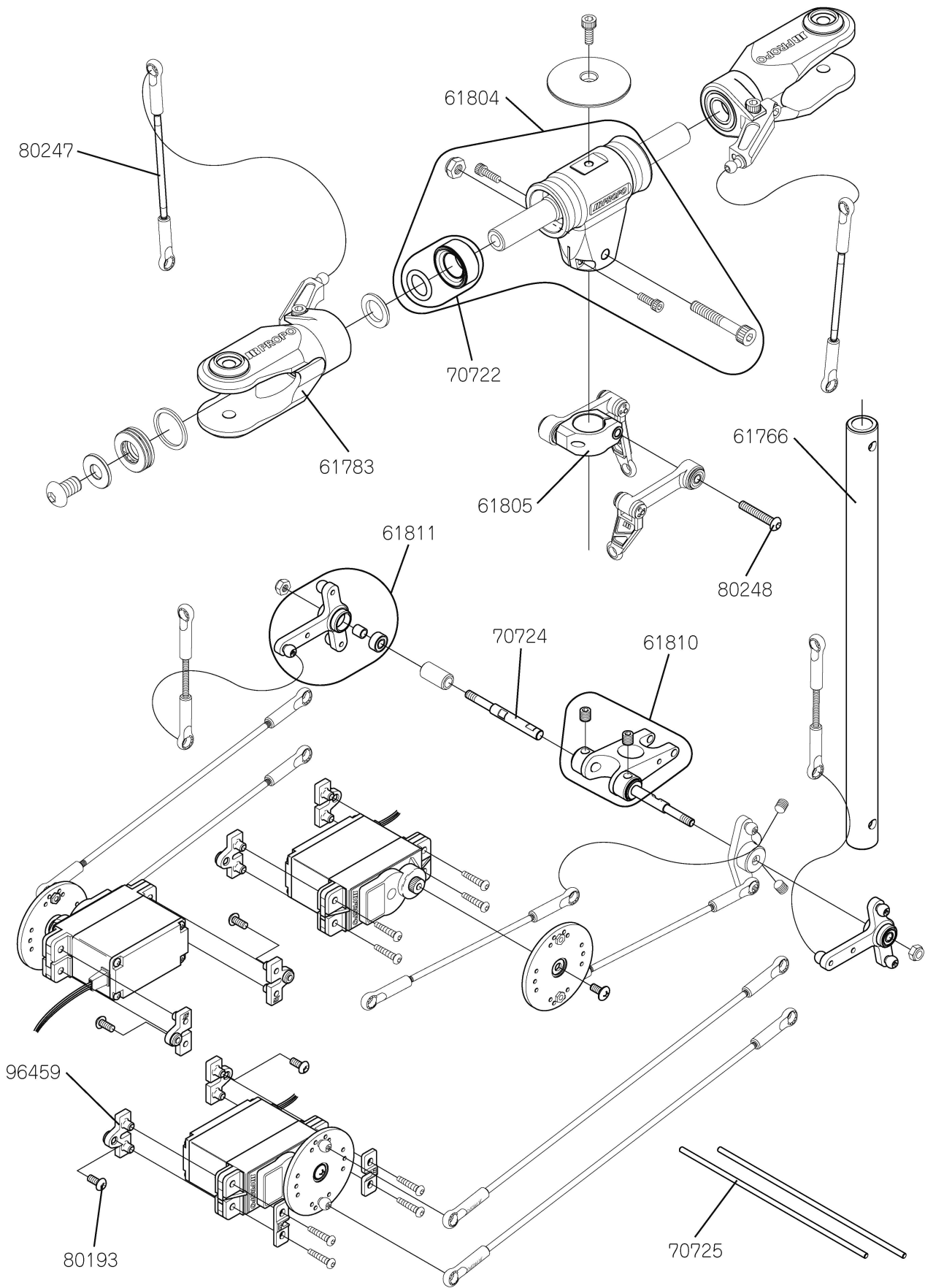
The photo depicts an assembled model

Specifications

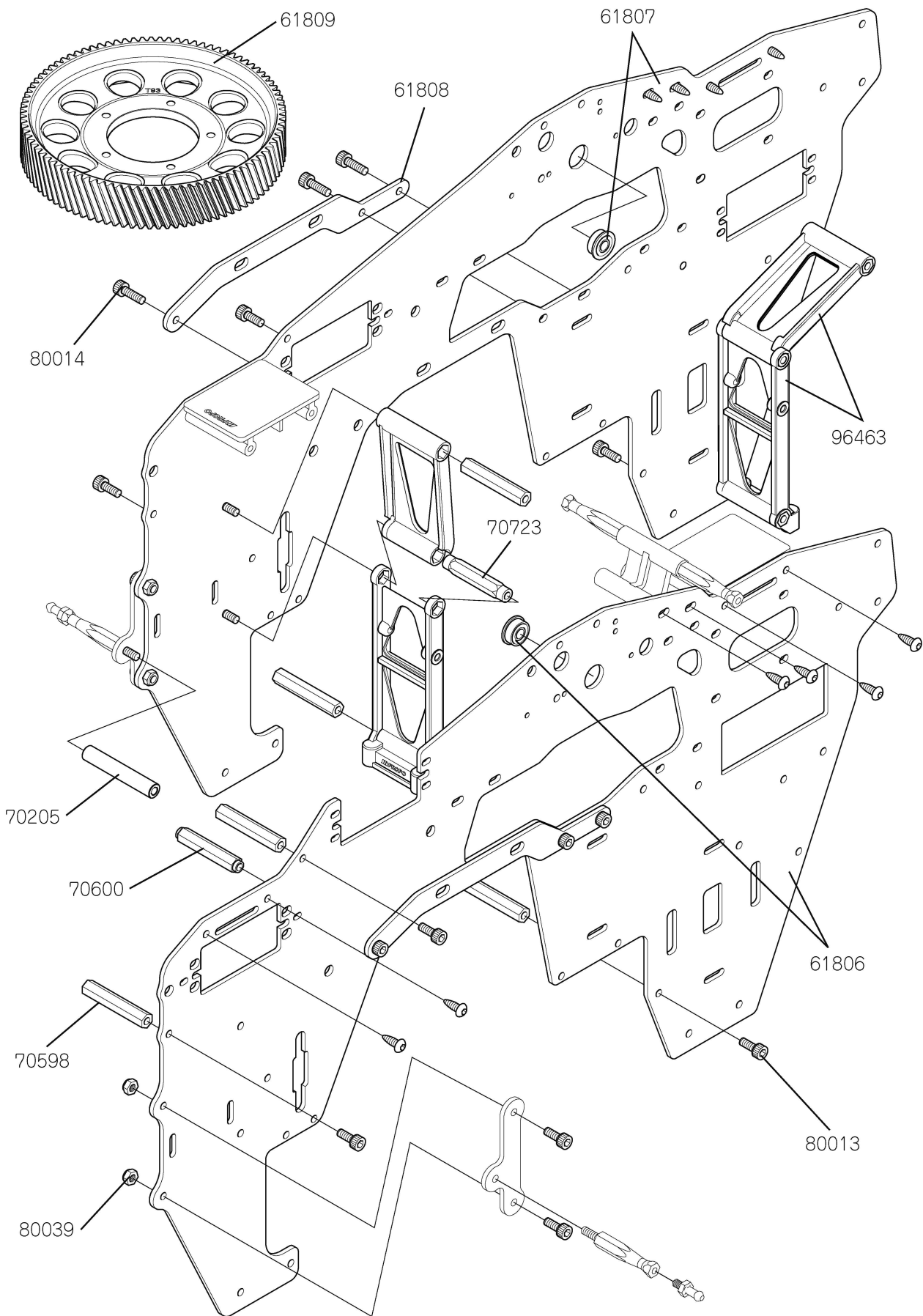
Length	1,359mm	Height	406mm	Width	182mm
Main rotor Dia. *1	1,580mm	Tail rotor Dia.	288mm	Gross weight *2	3,600g ~
Gear ratio	T9	10.3 : 1 : 4.65	Control System 120° CCPM		
Tail drive system : Shaft drive		*1 with 710mm main blades *2 not including main blades or battery			

Assembly steps

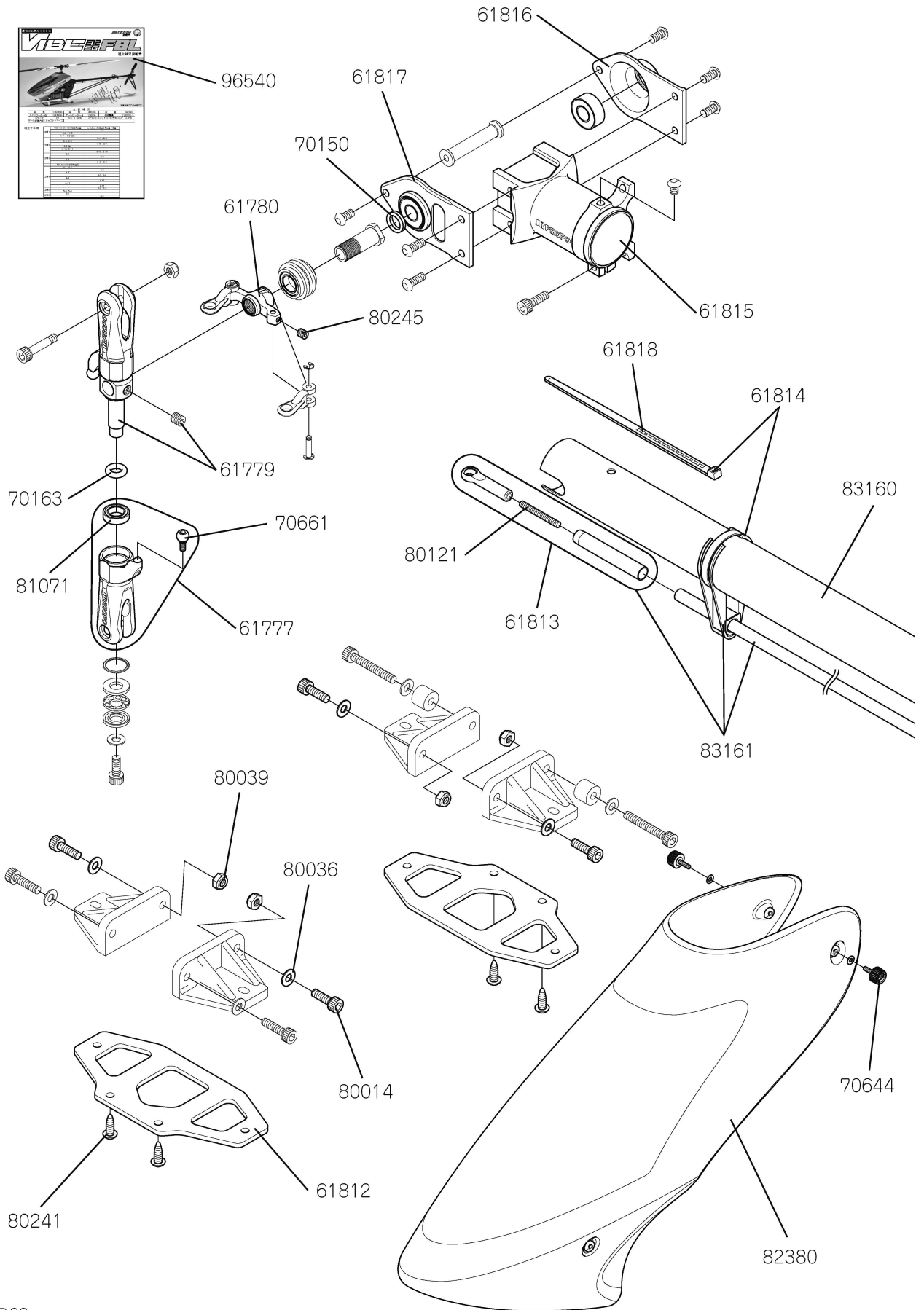
	VIBE SG E12 FBL Assembly manual	Ito Edition Supplemental manual
Step1		1-1
	1-2 ~ 1-6 1-7 ~ 1-9 deleted	
Step2	2-4, 2-5	2-1 ~ 2-3
	2-9 deleted 2-10, 2-11	2-6 ~ 2-8
		2-12, 2-13
Step3	3-1	3-2
	3-3	3-4 ~ 3-8
Step4	PITCH JIG ASSEMBLY	
	4-1, 4-4	4-5
	4-6	4-7, 4-8
	4-9	4-10
	4-11	4-12
		5-1, 5-2
Step5	5-3, 5-4	
Step6	6-1	6-2



Item No.	Description	Qty	Note
61766	Hard main shaft	× 1	
61783	Main blade holder assembly 90	× 1	L-1790ZZ already assembled
61804	FBL center hub (90) V2	× 1	w/rigid collar, O-ring,bolt (Spindle not include)
61805	Upper plate lock base	× 1	
61810	Swash control base V2	× 1	w/Setscrew M4 × 4
61811	T-Arm lever V2	× 1	
70722	Rigid collar set	× 1	w/O-ring 8.8 × 12.6 × 1.9 for 1 kit
70724	120 CCPM pivot pin V2	× 2	
70725	Lever alignment pin L100	× 2	
80193	Button head bolt M2.5 × 6	× 2	
80247	Threaded rod M2.3 × 65 (∅ 2.5)	× 2	
80248	Button head bolt M3 × 18	× 10	
96459	Servo mount plate set	× 1	Mount plate × 8 Holding plate × 10



Item No.	Description	Qty	Note
61806	Carbon main frame L V2 w/Bearing	× 1	LF-1040ZZ
61807	Carbon main frame R V2 w/Bearing	× 1	LF-1040ZZ
61808	Carbon twist support	× 2	
61809	Helical main gear T93 V2	× 1	
70205	Cross member L36	× 2	
70598	Cross member L32	× 2	Black
70600	Cross member w/step L32	× 2	Black
70723	Cross member L32 (round end)	× 2	
80013	Socket head bolt M3 × 8	× 10	
80014	Socket head bolt M3 × 10	× 10	
80039	Nylon lock nut M3	× 10	t2.8
96463	Beam cross member set	× 1	CA · CB



Item No.	Description	Qty	Note
61777	HG metal tail blade holder	× 1	Bearing already assembled, w/Joint ball screw
61779	HG tail center hub ø 6	× 1	w/Setscrew M4 × 4
61780	HG metal tail PC plate	× 1	w/Setscrew, link, pin
96540	Assembly manual (Hiroki Ito Edition)	× 1	
61812	Carbon brace adapter plate V2	× 1	
61813	Tail control end set	× 1	One set
61814	Tail control rod guide (K)	× 2	w/Rod guide collar, Nylon strap
61815	Tail gear case assembly V2	× 1	Bearing already assembled
61816	Tail gear case plate L V2	× 1	Bearing already assembled
61817	Tail gear case plate R V2	× 1	Bearing already assembled
61818	Nylon strap BK 142 × 2.5	× 10	
70150	O-ring 5 × 07 × 1	× 2	
70163	O-ring 3.5 × 5.5 × 1	× 2	
70644	Body mounting screw	× 4	
70661	Joint ball screw L4	× 5	
80014	Socket head bolt M3 × 10	× 10	
80036	Flat washer M3	× 10	
80039	Nylon lock nut M3	× 10	t2.8
80241	HEX tapping screw M3 × 8	× 10	Black
80245	Setscrew M2 × 2	× 5	w/Hex wrench 0.89
80121	Threaded rod M2.3 × 25	× 2	
81071	Shielded bearing 6 × 10 × 3	× 2	L-1060ZZ
83161	Carbon tail control boom set	× 1	one set
83160	Tail boom L808 V2	× 1	w/Logo
82380	FRP body set (Ito Edition)	× 1	w/Rubber grommet

Fly, and catch the sky with JR!

JR PROPO®

WWW.JRPROPO.CO.JP

LOT NO.

2013.01

VIBE SG E12 FBL Ito Edition ASSEMBLY MANUAL Vol.1

The product and the contents of these instructions are subject to change without notice due to improvement.