

**ELECTRIC POWERED MODEL**

# VIBE NEX 68

## ASSEMBLY MANUAL

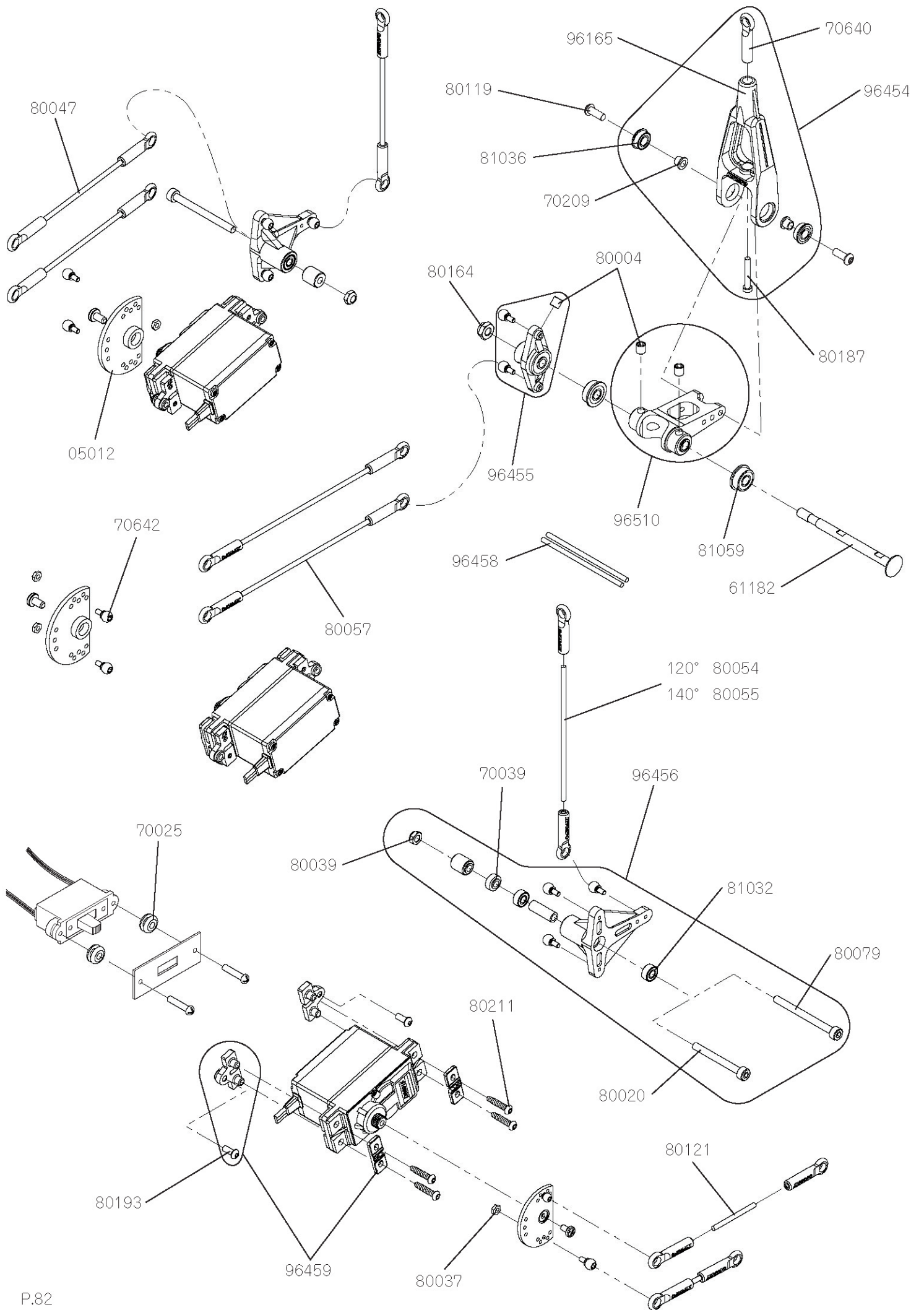


This photo depicts an assembled model

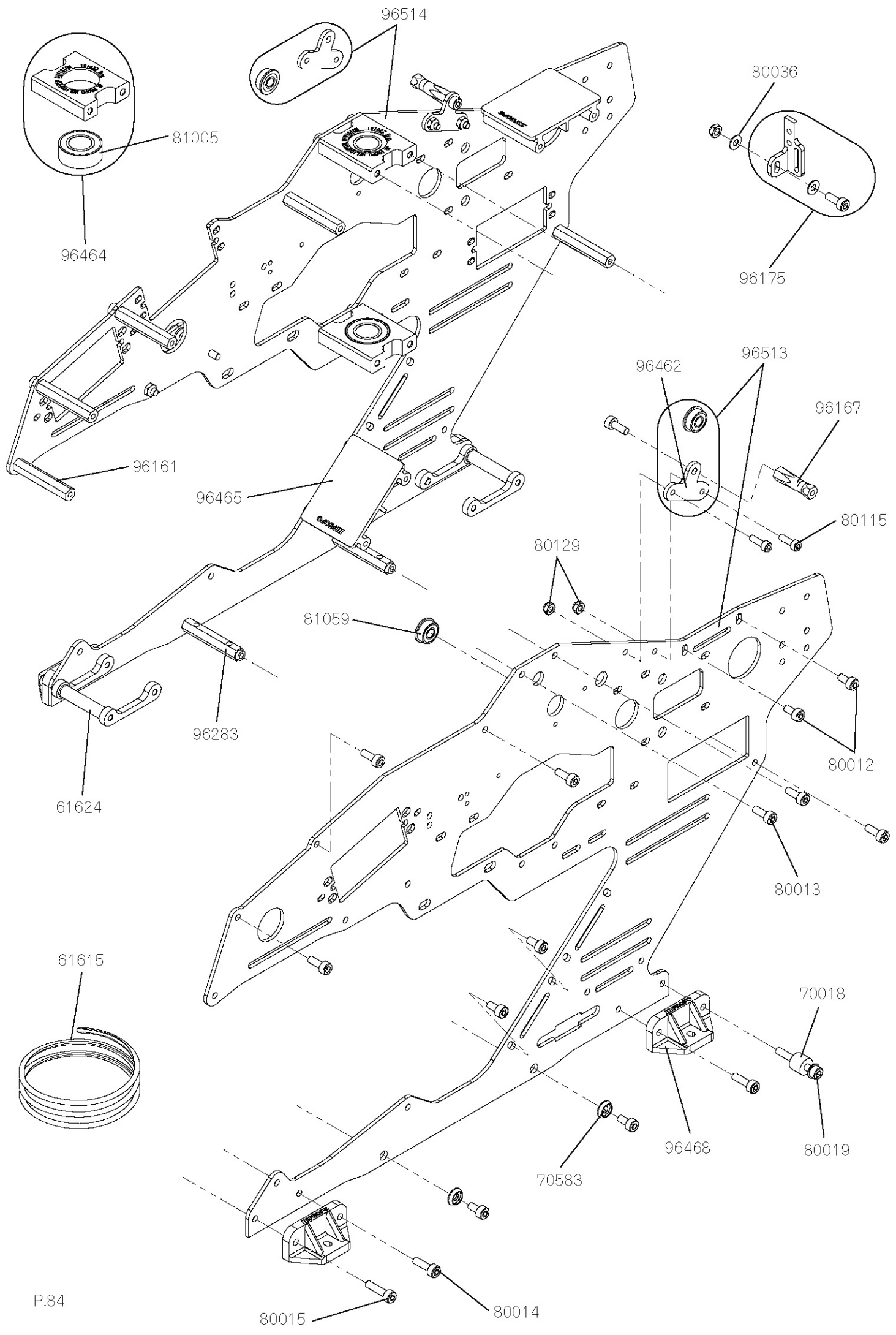
### Specifications

Length	: 1,225mm/48.23in
Height	: 431mm/16.97in (with Flybar) 421mm/16.57in (FBL)
Width(Landing strut)	: 212mm/8.35in
Main Rotor Dia.	: 1,361mm/53.58in (with 600mm rotor blades)
Tail Rotor Dia.	: 268mm/10.56in
Gear Ratio	: 8.7:1:4.4
Gross Weight	: 2,750g/6.06lb (FBL) 2,820g/6.22lb (with Flybar) (not including main rotor blades)

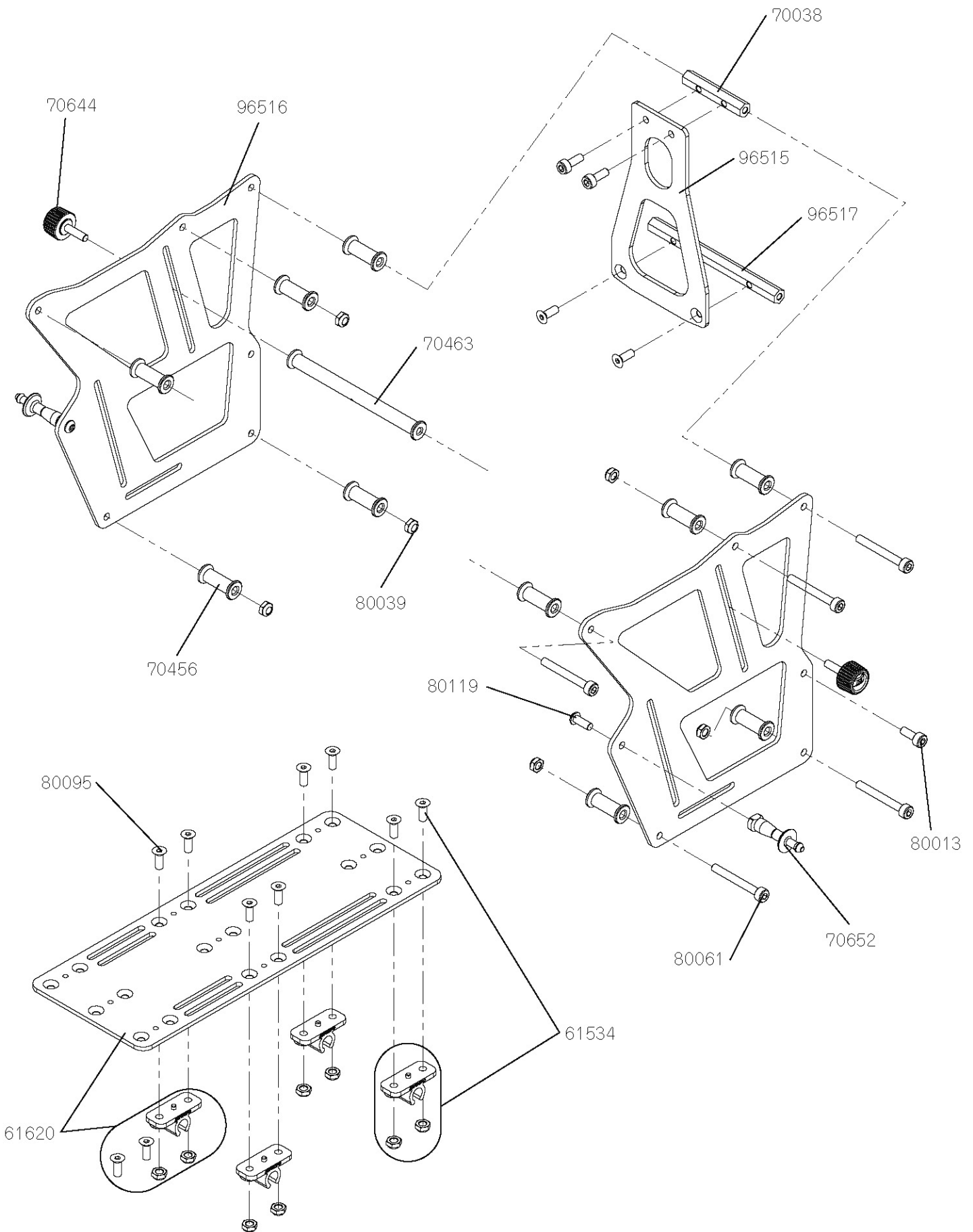
**JR CCPM** ← CHOICE → **JR CCPM**  
**140°** **120°**



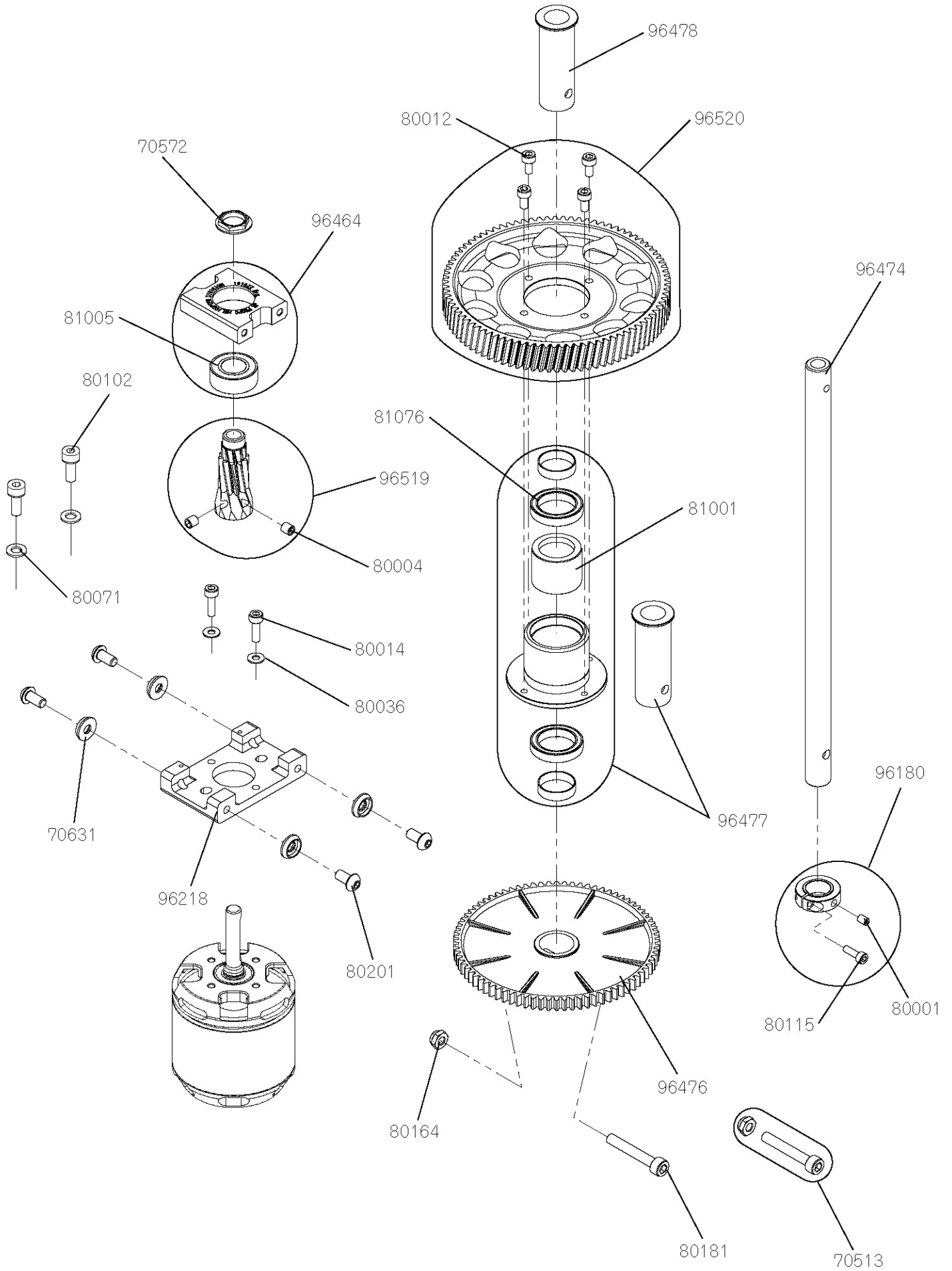
Item #	Description	Quantity	Note
05012	Big Horn Set	× 1	1 Pair
61182	Base Spindle Shaft	× 1	
70025	Switch Damper Rubber	× 4	
70039	Pitch Lever Spacer	× 1	
70209	CCPM A-arm Collar	× 2	
70640	Universal Link	× 10	
70642	Joint Ball Screw L8	× 5	
80004	Setscrew M4 × 4	× 10	
80020	Socket Head Bolt M3 × 28	× 10	
80037	Nut M2	× 10	
80039	Nylon Lock Nut M3(t2.8)	× 10	
80047	Threaded Rod M2.3 × 75	× 2	
80054	Threaded Rod M2.3 × 65	× 2	
80055	Threaded Rod M2.3 × 70	× 2	
80057	Threaded Rod M2.3 × 95	× 2	
80079	Socket Head Bolt M3 × 35	× 10	
80119	Button Head Bolt M3 × 8	× 10	
80121	Threaded Rod M2.3 × 25	× 2	
80164	Nylon Lock Nut M4(t3.8)	× 10	
80187	Socket Head Bolt M2.3 × 15	× 5	
80193	Button Head Bolt M2.5 × 6	× 2	
80211	HEX Tapping Bolt M2.6 × 12	× 10	
81032	Shielded Bearing 3 × 7 × 3	× 2	L-730ZZ
81036	Flanged Bearing F4 × 8 × 3	× 2	LF-840ZZ
81059	Flanged Bearing F4 × 10 × 4	× 2	LF-1040X2
96165	Elevator A Arm	× 1	W/Special Button Head Bolt M3 × 27
96454	Elevator A Arm Set	× 1	For 1 set
96455	Elevator Control Arm	× 1	w/Joint Ball Screw L8 · Setscrew
96456	T-Arm Lever Set	× 2	For 1 kit
96458	Alignment Pin ∅ 2L48	× 2	
96459	Servo Mount Plate Set	× 1	For 1 kit
96510	Swash Control Base	× 1	w/Setscrew M4 × 4



Item #	Description	Quantity	Note
61615	Edge Protector	× 1m	Color : Black
61624	Bottom Cross member (Red)	× 1	
70018	Spacer 3 × 8 × 6.5	× 2	
70583	Special Washer M3	× 10	
80012	Socket Head Bolt M3 × 6	× 10	
80013	Socket Head Bolt M3 × 8	× 10	
80014	Socket Head Bolt M3 × 10	× 10	
80015	Socket Head Bolt M3 × 12	× 10	
80019	Socket Head Bolt M3 × 22	× 10	
80036	Plate Washer M3	× 10	
80115	Socket Head Bolt M2.6 × 8	× 10	
80129	Nylon Lock Nut M2.6	× 10	
81005	Shielded Bearing 10 × 19 × 7	× 2	L-1910ZZ
81059	Flanged Bearing F4 × 10 × 4	× 2	LF-1040X2
96161	Cross member L32	× 2	
96167	Body Catch L21	× 2	
96175	Governor Mount	× 1	
96283	Cross member w/Steps L32P20	× 2	
96462	Carbon Body Mount Plate	× 2	
96464	Bearing Block w/Bearing	× 1	w/Bearing
96465	Gyro Mount	× 1	
96468	Landing Strut Adapter B	× 4	
96513	Carbon Main Frame L	× 1	w/Bearing · Body Mount Plate
96514	Carbon Main Frame R	× 1	w/Bearing · Body Mount Plate

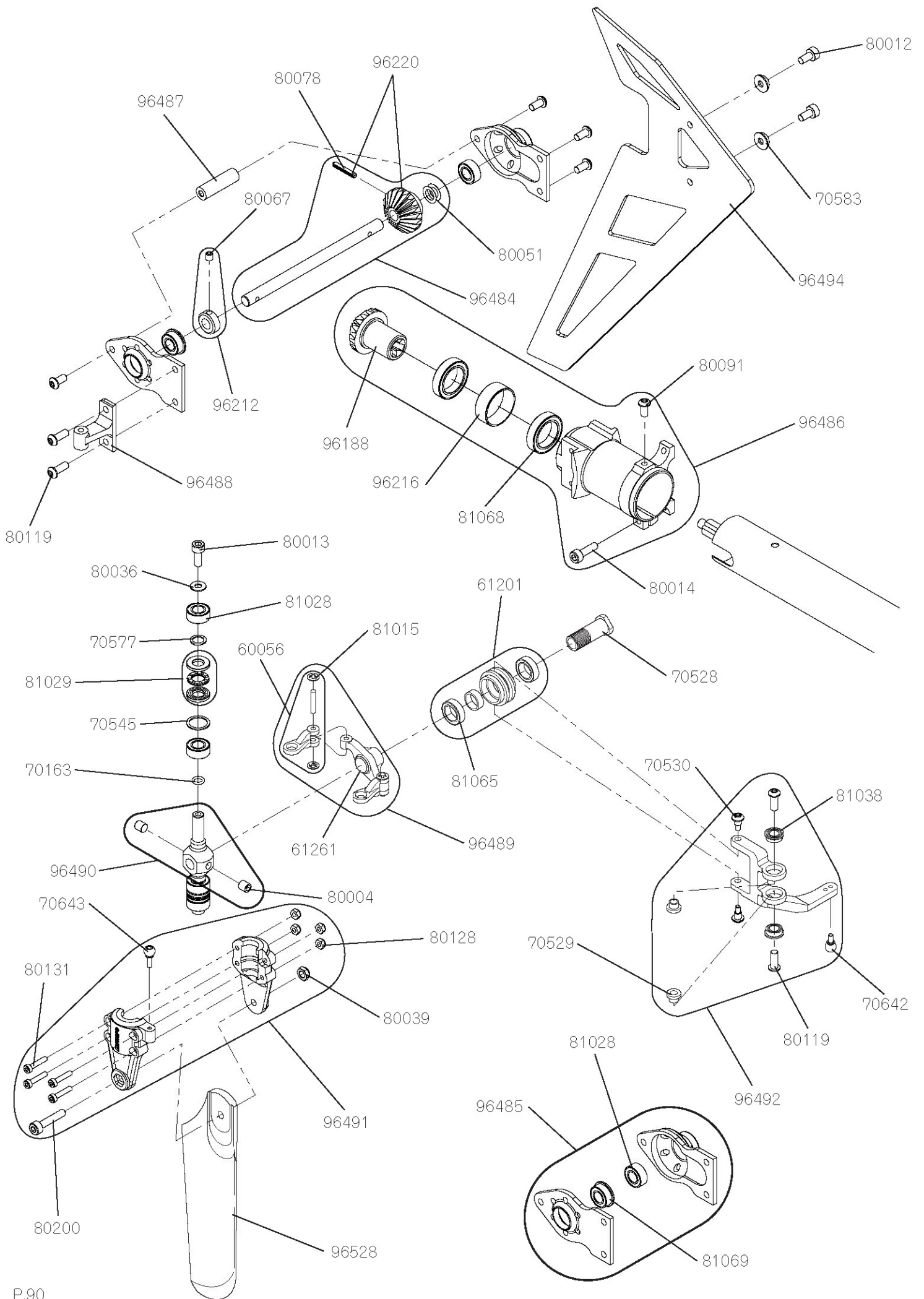


Item #	Description	Quantity	Note
61534	Battery Clamp	× 4	w/Flat Head Bolt · Nylon Lock Nut
61620	Carbon Main Tray 168 × 64 B	× 1	Pitch:50 w/Battery Clamp · Bolts
70038	Cross member L32-P14	× 2	
70456	Cross member L17 (Through)	× 4	
70463	Cross member L70	× 2	
70644	Body Mounting Screw B	× 4	
70652	Body Catch L19	× 2	
80013	Socket Head Bolt M3 × 8	× 10	
80039	Nylon Lock Nut M3(t2.8)	× 10	
80061	Socket Head Bolt M3 × 25	× 10	
80095	Flat Head Bolt M3 × 8	× 10	
80119	Button Head Bolt M3 × 8	× 10	
96515	Carbon Frame Support Plate	× 1	
96516	Carbon Lower Frame	× 2	
96517	Cross member L70-P42	× 2	

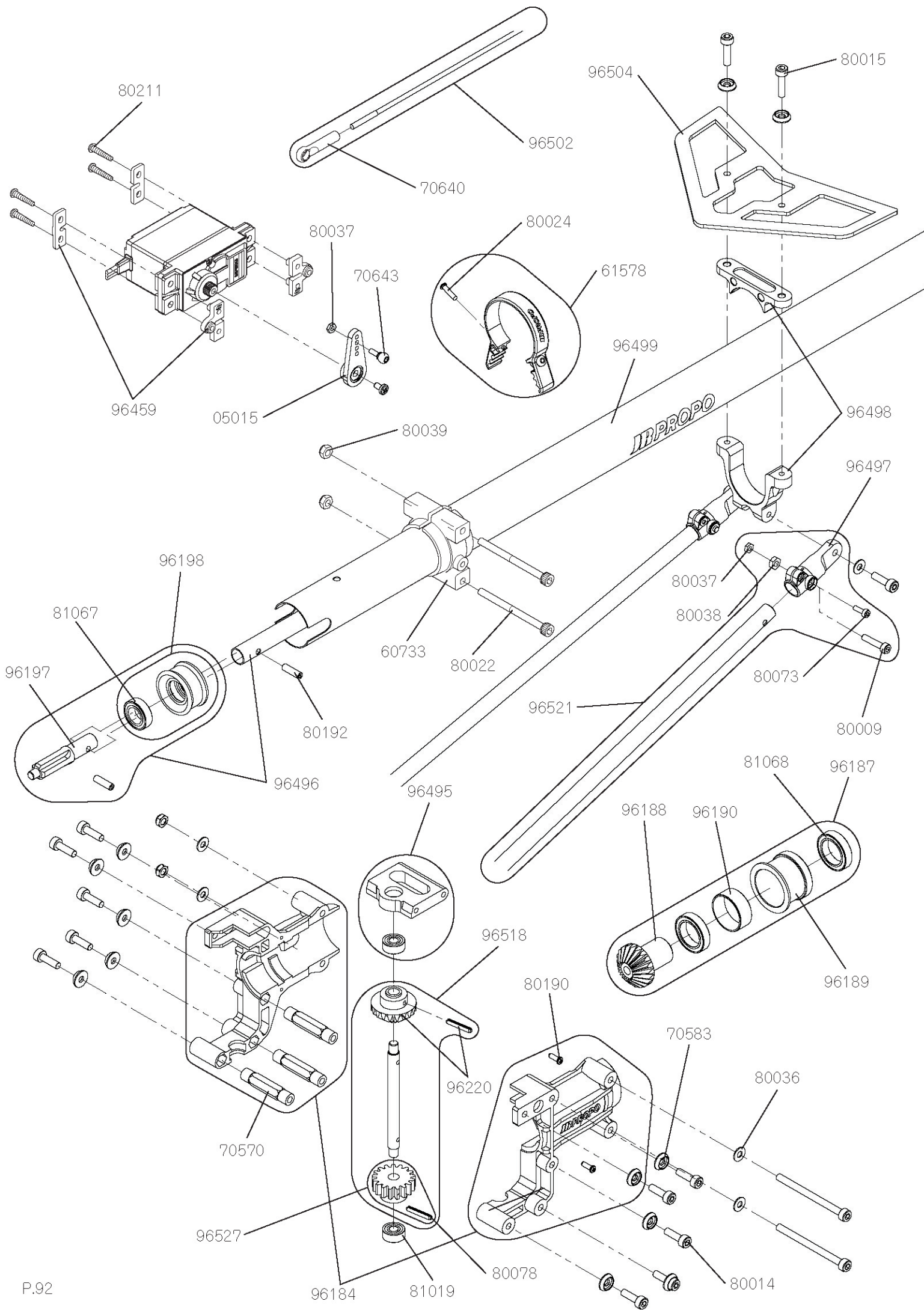




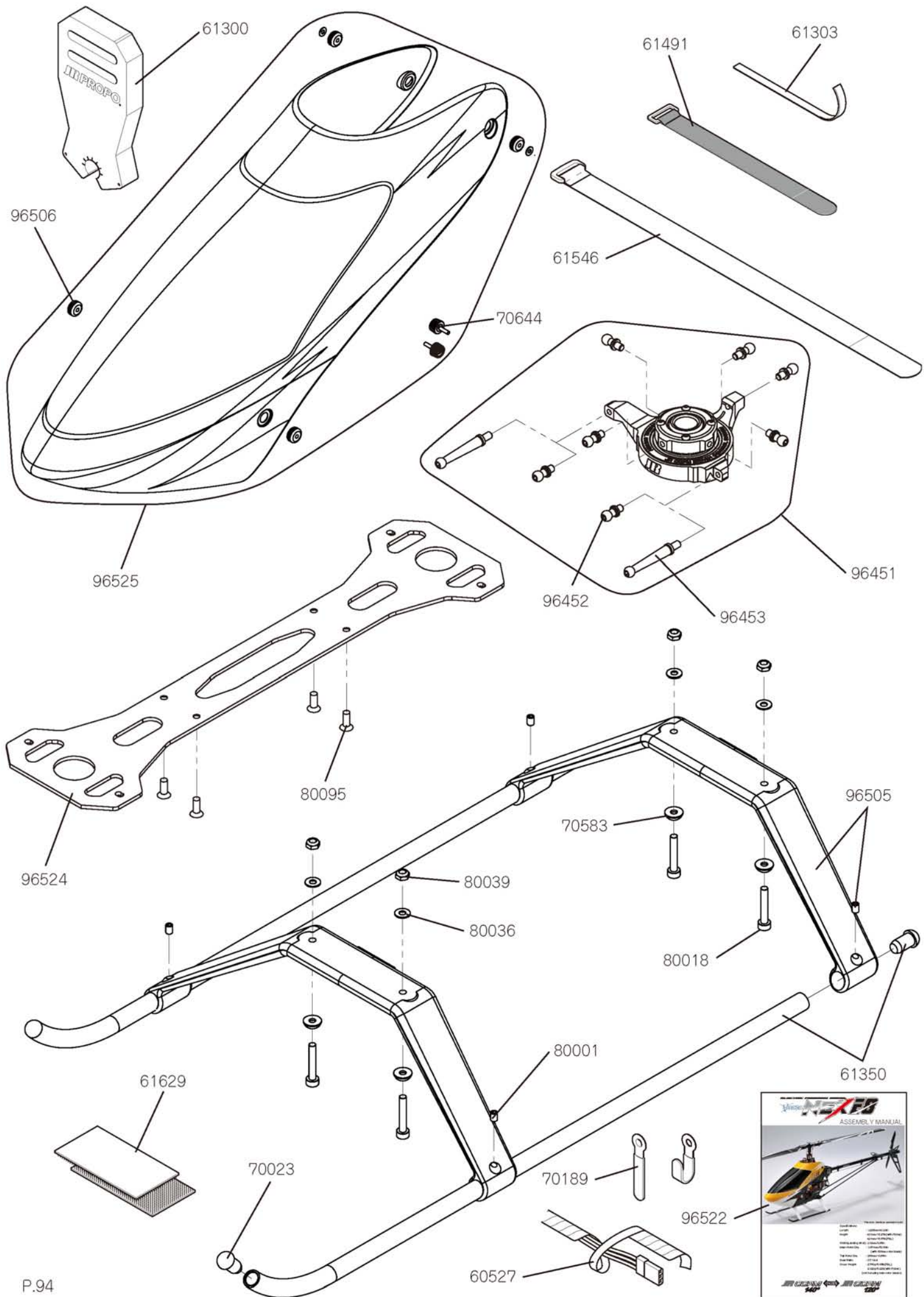
Item #	Description	Quantity	Note
70513	Main Shaft Washer Bolt Set	× 1	M3/M4
70572	Pinion Nut M9	× 1	
70631	Special Washer M4	× 10	
80001	Setscrew M3 × 4	× 10	
80004	Setscrew M4 × 4	× 10	
80012	Socket Head Bolt M3 × 6	× 10	
80014	Socket Head Bolt M3 × 10	× 10	
80036	Plate Washer M3	× 10	
80071	Plate Washer M4	× 10	
80102	Socket Head Bolt M4 × 10	× 10	
80115	Socket Head Bolt M2.6 × 8	× 10	
80164	Nylon Lock Nut M4(t3.8)	× 10	
80181	Special Socket Head Bolt M4 × 26	× 2	
80201	Button Head Bolt M4 × 8	× 10	
81001	One Way Bearing 14 × 20 × 16	× 1	HF-1416
81005	Shielded Bearing 10 × 19 × 7	× 2	L-1910ZZ
81076	Shielded Bearing 15 × 21 × 4	× 1	6702ZZ
96180	Main Shaft Collar	× 1	w/Socket Head Bolt
96218	Motor Mount	× 1	
96464	Bearing Block w/Bearing	× 1	w/Bearing
96474	Main Shaft	× 1	
96476	Tail Drive Gear T80	× 1	
96477	Autorotation Unit w/Bearing	× 1	w/Autorotation Sleeve
96478	Autorotation Sleeve	× 1	
96519	Helical Pinion Gear T10	× 1	
96520	Helical Main Drive Gear T87	× 1	



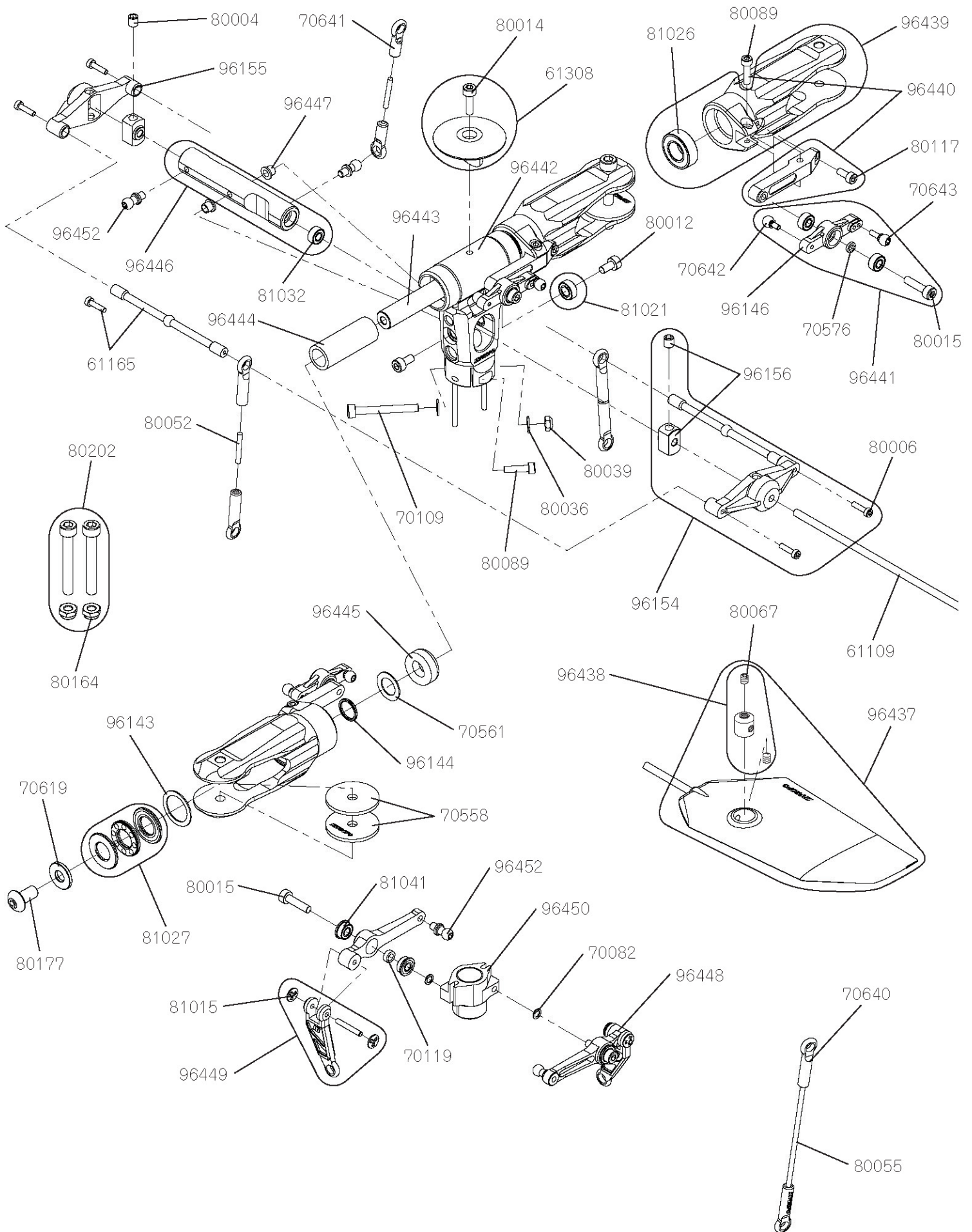
Item #	Description	Quantity	Note
60056	Tail PC Link	× 2	w/Tail PC Link Pin
61201	Tail Slide Ring	× 1	w/Bearing
61261	Tail PC Plate	× 1	
70163	O-Ring 3.5 × 5.5 × 1	× 2	
70528	Tail Slide Ring Sleeve	× 1	
70529	Tail PC Bearing Collar	× 2	
70530	Tail PC Slide Bolt	× 2	
70545	Washer 8 × 10 × 0.5	× 2	
70577	Washer 5 × 07 × 0.5	× 2	
70583	Special Washer M3	× 10	
70642	Joint Ball Screw L8	× 5	
70643	Joint Ball Screw L10	× 5	
80004	Setscrew M4 × 4	× 10	
80012	Socket Head Bolt M3 × 6	× 10	
80013	Socket Head Bolt M3 × 8	× 10	
80014	Socket Head Bolt M3 × 10	× 10	
80036	Plate Washer M3	× 10	
80039	Nylon Lock Nut M3(t2.8)	× 10	
80051	Poly Slider t0.13	× 10	5 × 8 × 0.13
80067	Setscrew M3 × 3	× 10	
80078	Spring Pin M2 × 13	× 5	
80091	Button Head Bolt M3 × 6	× 10	
80119	Button Head Bolt M3 × 8	× 10	
80128	Nylon Lock Nut M2	× 10	
80131	Socket Head Bolt M2 × 10	× 10	
80200	Tail Drag Bolt Set	× 1	for 1 kit
81015	CA Stopper Ring M2	× 10	
81028	Shielded Bearing 5 × 10 × 4	× 2	L-1050ZZ
81029	Thrust Bearing 5 × 10 × 4	× 2	T5-10
81038	Flanged Bearing F4 × 7 × 2.5	× 2	LF-740ZZ
81065	Shielded Bearing 7 × 11 × 3	× 2	L-1170ZZ
81068	Shielded Bearing 12 × 18 × 4	× 1	6701ZZ
81069	Flanged Bearing F5 × 10 × 4	× 2	LF-1050ZZ
96188	Bevel Gear T20 Joint	× 1	
96216	Bearing Collar, 18 × 16.5 × 6.5mm	× 1	
96220	Bevel Gear T20	× 1	w/Spring Pin M2 × 13
96212	Tail Output Shaft Stopper	× 1	w/Setscrew
96484	Tail Output Shaft w/Gear	× 1	w/Poly Slider t0.13
96485	Tail Gear Case Plate A/B	× 1	w/Bearing
96486	Tail Gear Case Assembly	× 1	
86487	Tail Gear Cross member	× 1	
96488	Tail Pitch Base(Red)	× 1	
96489	Tail PC Plate Set	× 1	
96490	Tail Center Hub	× 1	w/Setscrew M4 × 4
96491	Tail Rotor Grip Set	× 1	for 1 kit
96492	Tail Pitch Control Lever Set	× 1	for 1 kit
96494	Carbon Vertical Fin	× 1	
96528	Tail Rotor Blade	× 2	



Item #	Description	Quantity	Note
05015	Super Horn Set	× 1	5 Piece
60733	Tail Boom Holder	× 2	
61578	Tail Rod Guide D Set	× 4	w/Self Tapping Screw M2 × 8
70570	Cross member L28	× 2	
70583	Special Washer M3	× 10	
70640	Universal Link	× 10	
70643	Joint Ball Screw L10	× 5	
80009	Socket Head Bolt M2.6 × 12	× 10	
80014	Socket Head Bolt M3 × 10	× 10	
80015	Socket Head Bolt M3 × 12	× 10	
80022	Socket Head Bolt M3 × 40	× 10	
80024	Self Tapping Screw M2 × 8	× 10	
80036	Plate Washer M3	× 10	
80037	Nut M2	× 10	
80038	Nut M2.6	× 10	
80039	Nylon Lock Nut M3(t2.8)	× 10	
80073	Socket Head Bolt M2 × 6	× 10	
80078	Spring Pin M2 × 13	× 5	
80190	Self Tapping Screw M2 × 6	× 10	
80192	Setscrew M3 × 10	× 10	
80211	HEX Tapping Bolt M2.6 × 12	× 10	
81019	Shielded Bearing 4 × 10 × 4	× 2	L-1040ZZ
81067	Shielded Bearing 8 × 14 × 4	× 2	L-1480ZZ
81068	Shielded Bearing 12 × 18 × 4	× 1	6701ZZ
96184	Tail Pinion Unit Case L/R	× 1	w/Cross member L28
96187	Bevel Gear T20 Joint Assembly	× 1	
96188	Bevel Gear T20 Joint	× 1	
96189	Tail Pinion Unit Bearing Case B	× 1	
96190	Bearing Collar, 18 × 16.5 × 7mm	× 1	
96197	Drive Shaft Joint	× 2	
96198	Shaft Drive Guide	× 1	w/Bearing
96220	Bevel Gear T20	× 1	w/Spring Pin M2 × 13
96459	Servo Mount Plate Set	× 1	For 1 kit
96495	Tail Pinion Unit Bearing Case A(Red)	× 1	w/Bearing
96496	Tail Drive Shaft Set	× 1	for 1 kit
96497	Tail Supporter End	× 4	w/Socket Head Bolt · Nut
96498	Tail Support Clamp Set	× 1	Upper · Lower
96499	Tail Boom L708	× 1	
96502	Tail Control Rod L685	× 1	w/Universal Link
96504	Carbon Horizontal Fin	× 1	
96518	Tail Pinion Shaft Assembly T18	× 1	
96521	Tail Boom Support L525	× 2	w/Tail Supporter End
96527	Tail Pinion Gear T18	× 1	w/Spring Pin M2 × 13

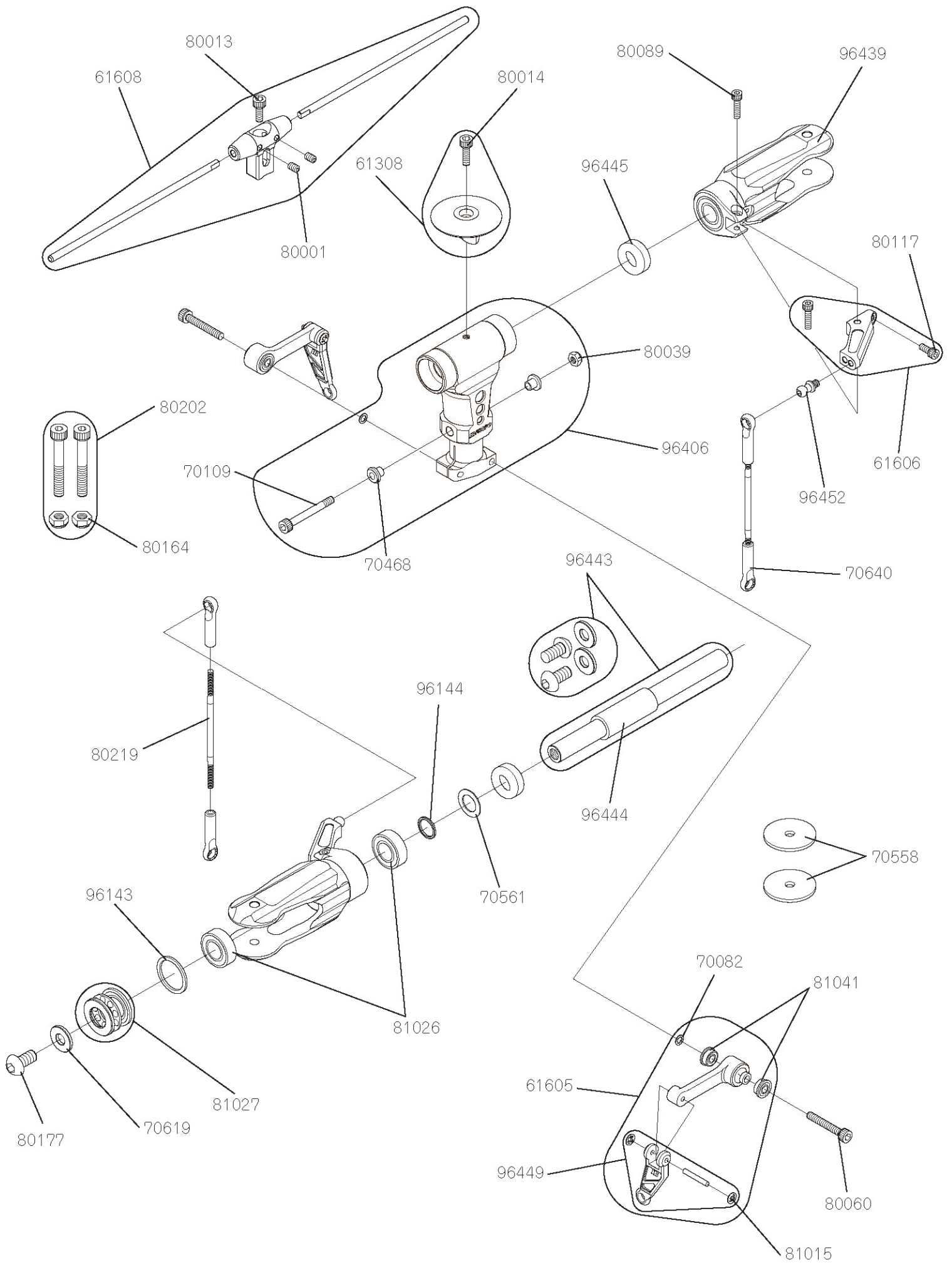


Item #	Description	Quantity	Note
60527	Spiral Tube	× 1	1m
61300	Blade Holder	× 1	
61303	Hook and Loop Strap S	× 2	Color : Red L : 200
61350	Landing Skid	× 2	w/Skid Cap
61491	Hook and Loop Strap	× 2	Color : Black L : 200
61546	Hook and Loop Strap XL	× 2	Color : Red L : 420
61629	Hook and Loop Strap w/adhesive L60	× 2	
70023	Skid Cap	× 4	
70189	Cord Holder	× 10	
70583	Special Washer M3	× 10	
70644	Body Mounting Screw B	× 4	
80001	Setscrew M3 × 4	× 10	
80018	Socket Head Bolt M3 × 18	× 10	
80036	Plate Washer M3	× 10	
80039	Nylon Lock Nut M3(t2.8)	× 10	
80095	Flat Head Bolt M3 × 8	× 10	
96451	Swashplate Assembly	× 1	w/Control Balls
96452	Control Ball L5.5	× 1	
96453	Control Ball L24.75	× 1	
96505	Landing Strut	× 2	w/Setscrew M3 × 4
96506	Rubber Grommet	× 4	
96522	Assembly Manual (VIBE NEX E8)	× 1	
96524	Carbon Bottom Frame Plate	× 1	
96525	FRP Body Set	× 1	for 1 kit





Item #	Description	Quantity	Note
61109	Flybar L440	× 2	
61308	Dome	× 1	w/Socket Head Bolt M3 × 10
61165	Flybar Arm B	× 2	w/Socket Head Bolt
70082	Washer 3 × 4.5 × 0.4	× 10	
70109	Special Socket Head Bolt M3 × 26	× 2	w/Nylon Lock Nut M3
70119	Spacer 3 × 5 × 1.8	× 2	
70558	Rotor Spacer t1.5	× 4	thickness 1.5
70561	Spindle Shim Washer	× 4	
70576	Washer 3 × 4.5 × 1	× 2	
70619	Spindle Washer M5	× 2	
70640	Universal Link	× 10	
70641	Universal Link S	× 5	
70642	Joint Ball Screw L8	× 5	
70643	Joint Ball Screw L10	× 5	
80004	Setscrew M4 × 4	× 10	
80006	Socket Head Bolt M2 × 8	× 10	
80012	Socket Head Bolt M3 × 6	× 10	
80014	Socket Head Bolt M3 × 10	× 10	
80015	Socket Head Bolt M3 × 12	× 10	
80036	Plate Washer M3	× 10	
80039	Nylon Lock Nut M3(t2.8)	× 10	
80052	Threaded Rod M2.3 × 15	× 2	
80055	Threaded Rod M2.3 × 70	× 2	
80067	Setscrew M3 × 3	× 10	
80089	Socket Head Bolt M2.6 × 10	× 10	
80117	Socket Head Bolt M2.6 × 6	× 10	
80164	Nylon Lock Nut M4(t3.8)	× 10	
80177	Button Head Bolt M5 × 10	× 10	
80202	Drag Bolt Set M4 × 30	× 1	for 1 kit
81015	CA Stopper Ring M2	× 10	
81021	Shielded Bearing 4 × 8 × 3	× 2	L-840ZZ
81026	Shielded Bearing 8 × 16 × 5	× 2	L-1680ZZ
81027	Thrust Bearing 8 × 16 × 5	× 2	SST-1680DSG
81032	Shielded Bearing 3 × 7 × 3	× 2	L-730ZZ
81041	Flanged Bearing F3 × 7 × 3	× 2	LF-730ZZ
96143	Washer 12 × 16 × 0.5	× 2	(Item # 70099)
96144	Grip Spacer	× 2	(Item # 70562)
96146	Mixing Arm	× 2	Arm only
96154	Flybar Arm Set	× 1	w/Flybar Arm A/B
96155	Flybar Arm A	× 2	
96156	Flybar Stopper	× 2	w/Setscrew
96437	Flybar Paddle	× 2	1 set
96438	Paddle Stopper	× 2	w/Setscrew M3 × 3
96439	Main Blade Holder Assembly Set	× 1	w/Bearing :for 1 kit
96440	Pitch Arm	× 2	w/Socket Head Bolt
96441	Mixing Arm Set	× 1	w/Bearing :for 1 kit
96442	Center Hub Assembly	× 1	w/Bearing
96443	Spindle Shaft M5	× 1	w/Spindle Shaft Tube · Button Head Bolt
96444	Spindle Tube	× 1	
96445	Damper Rubber	× 2	Hardness 90°
96446	Seesaw Assembly	× 1	w/Bearing
96447	Seesaw Spacer Collar	× 2	
96448	Washout Arm Assembly Set	× 1	for 1 kit
96449	Washout Link C	× 2	w/Washout Link Pin (Item # 70648)
96450	Washout Base	× 1	
96452	Control Ball L5.5	× 1	



Item #	Description	Quantity	Note
61308	Head Button (Dome)	× 1	w/Socket Head Bolt M3 × 10
61605	FBL Washout Arm Assembly	× 2	Color:Red LF-730ZZ already assembled
61606	FBL Pitch Arm( 50)	× 1	w/Socket Head Bolt
61608	FBL Pitch Jig set	× 1	1 Set
70082	Washer 3 × 4.5 × 0.4	× 10	
70109	Special Socket Head Bolt M3 × 26	× 10	
70468	Center Hub Collar	× 2	
70558	Rotor Spacer t1.5	× 2	
70561	Spindle Shim Washer	× 4	
70619	Spindle Washer M5	× 2	
70640	Universal Link	× 10	
80001	Setscrew M3 × 4	× 10	
80013	Socket Head Bolt M3 × 8	× 10	
80014	Socket Head Bolt M3 × 10	× 10	
80039	Nylon Lock Nut M3(t2.8)	× 10	
80060	Socket Head Bolt M3 × 20	× 10	
80089	Socket Head Bolt M2.6 × 10	× 10	
80117	Socket Head Bolt M2.6 × 6	× 10	
80164	Nylon Lock Nut M4(t3.8)	× 10	
80177	Button Head Bolt M5 × 10	× 10	
80202	Main Blade Bolts Set M4 × 30	× 1	w/Nylon Lock Nut M4
80219	Threaded Rod M2.3 × 60( ∅ 2.5)	× 2	
81015	CA Stopper Ring M2	× 10	
81026	Shielded Brearing 8 × 16 × 5	× 2	L-1680ZZ
81027	Thrust Bearing 8 × 16 × 5	× 2	SST-1680DSG
81041	Flanged Bearing F3 × 7 × 3	× 2	LF-730ZZ
96143	Washer 12 × 16 × 0.5	× 2	(Item # 70099)
96144	Grip Spacer	× 2	(Item # 70562)
96406	FBL Center Hub (50)	× 1	w/Button Head Bolt M4 × 8
96439	Main Blade Holder Assembly	× 1	w/Bearing :for 1 kit
96443	Spindle Shaft M5	× 1	w/Spindle Tube · Spindle Washer · Button Head Bolt
96444	Spndle Tube	× 1	
96445	Damper Rubber	× 4	Hardness 90°
96449	Washout Link C	× 2	w/Washout Link Pin (Item # 70648)
96452	Control Ball L5.5	× 1	

Fly. and catch the sky with JR!

**JR PROPO**®

***WWW.JRPROPO.CO.JP***

LOT NO.

July,2011

VIBE NEX E8 Assembly Instructions Version 1

The product and the contents of these instructions are subject to change  
without notice due to improvement.