

* Type of screw

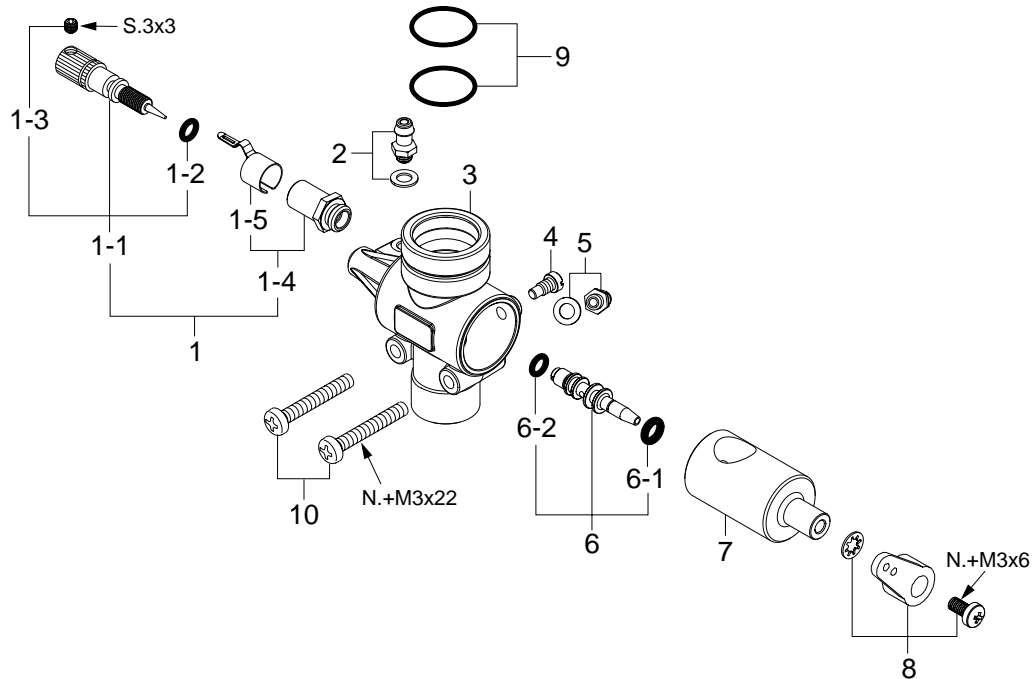
C...Cap Screw M...Oval Fillister-Head Screw
F...Flat Head Screw N...Round Head Screw S...Set Screw

CAP SCREW SETS (10pcs./sets)

Code No.	Size	Pcs. used in an engine
79871020	M2.6x7	Cam Cover Retaining Screw (3pcs.)
79871030	M2.6x10	Rocker Cover Retaining Screw (2pcs.)
79871040	M2.6x12	Silencer Assembly Screw (4pcs.)
79871120	M3x10	Cover Plate Retaining Screw (4pcs.)
79871080	M3.5x12	Rocker Support Retaining Screw (1pc.)
79871100	M3.5x20	Cylinder Head Retaining Screw (6pcs.)

No.	Code No.	Description
1	44504200	Rocker Cover
2	44514300	Rocker Cover Gasket
3	45761600	Rocker Arm Retainer (2pcs.)
4	44561400	Rocker Support
5	44561000	Rocker Arm (1pc.)
6	44561200	Tappet Adjusting Screw (1pair)
7	45560410	Split Cotter (2ps./1pair)
8	45560310	Valve Spring Retainer (1pc.)
9	45560210	Intake Valve Spring (1pc.)
10	45560220	Exhaust Valve Spring (1pc.)
11	44550000	Intake Valve (1pc.)
12	44551000	Exhaust Valve (1pc.)
13	44504100	Cylinder Head (W/Gasket)
14	44514100	Head Gasket (1pc.)
15	44514110	Intake Manifold Gasket (2pcs.)
16	44569400	Intake Manifold
17	44581000	Carburetor Complete (Type 80N)
18	44503400	Piston Ring
19	44503200	Piston
20	44506000	Piston Pin
21	28117000	Piston Pin Retainer
22	44505000	Connecting Rod
23	44503100	Cylinder Liner
24	44507000	Cover Plate
25	29061410	Cover Gasket
26	44502000	Crankshaft
27	27930000	Crankshaft Ball Bearing (Rear)
28	44501000	Crankcase (W/Screw)
29	45231100	Camshaft Ball Bearing (1pc.)

No.	Code No.	Description
30	44562000	Camshaft
31	44501100	Cam Cover (W/Gasket)
31-1	44501110	Cam Cover Gasket
32	44566000	Push Rod (2pcs.)
33	44566100	Push Rod Cover (1pc.)
34	45566310	Push Rod Cover "O" Ring (2pcs.)
35	44564000	Cam Follower (2pcs.)
36	29431000	Crankshaft Ball Bearing (Front)
37	44508000	Drive Hub (W/Collet)
38	45910100	Lock Nut Set
39	44525000	F-6010 Silencer Assembly
39-1	44525100	Silencer Body
39-2	44525110	Silencer Gasket (2pcs.)
39-3	22681957	Pressure Nipple (No.7)
39-4	44525200	Exhaust Header Pipe Assembly
39-5	44525210	Exhaust Header Pipe Nut m16 (1pc.)
	71615009	Glow Plug Type F
	72200080	Needle Valve Extension Cable Set



*Type of screw

C...Cap Screw M...Oval Fillister-Head Screw

F...Flat Head Screw N...Round Head Screw S...Set Screw

O.S. GENUINE PARTS & ACCESSORIES

No.	Code No.	Description
1	23881900	Needle-valve Assembly
1-1	22681980	Needle Assembly
1-2	24981837	"O" Ring (2pcs.)
1-3	26381501	Set Screw
1-4	27381940	Needle-valve Holder Assembly
1-5	26711305	Ratchet Spring
2	22681953	Fuel Inlet (Nipple No.1)
3	44581100	Carburetor Body
4	45581820	Roter Guide Screw
5	45771000	Breather Nipple (Nipple No.5)
6	44581600	Mixture Control Valve Assembly
6-1	46066319	"O" Ring (L) (2pcs.)
6-2	24881824	"O" Ring (S) (2pcs.)
7	44581200	Carburetor Rotor
8	27881400	Throttle Lever Assembly
9	44581500	Carburetor Rubber Gasket (2pcs.)
10	45581700	Carburetor Retaining Screw

Code No.	Description
71904200	Radial Motor Mount
45910200	Propeller Locknut Set (For Spinner)
45910300	5/16"-M5 Propeller Locknut Set For 4C Spinner
72200130	Booster Terminal Kit
72200110	Booster Cable Set
72403050	Super Filter (L)
71531000	Non-Bubble Weight
71531010	Non-Bubble Weight (S)
79870050	M5 Blind Nut (10pcs./set)
55500004	M5 Lock Washer (10sets.)
72200060	Valve Adjusting Tool Kit
71521000	Long Socket Wrench With Plug Grip