

ELECTRIC POWERED MODEL
NEX **FBL**
E6
550



JR CCPM
140°



Specifications

Length : 986mm / 38.82in

Height : 321mm / 12.64in

Width (Landing strut) : 158mm / 6.22in

Flying Weight : 2,300g / 5.07lb or more

Main Rotor Dia. : 1,142mm / 44.96in

Tail Rotor Dia. : 220mm / 8.6in

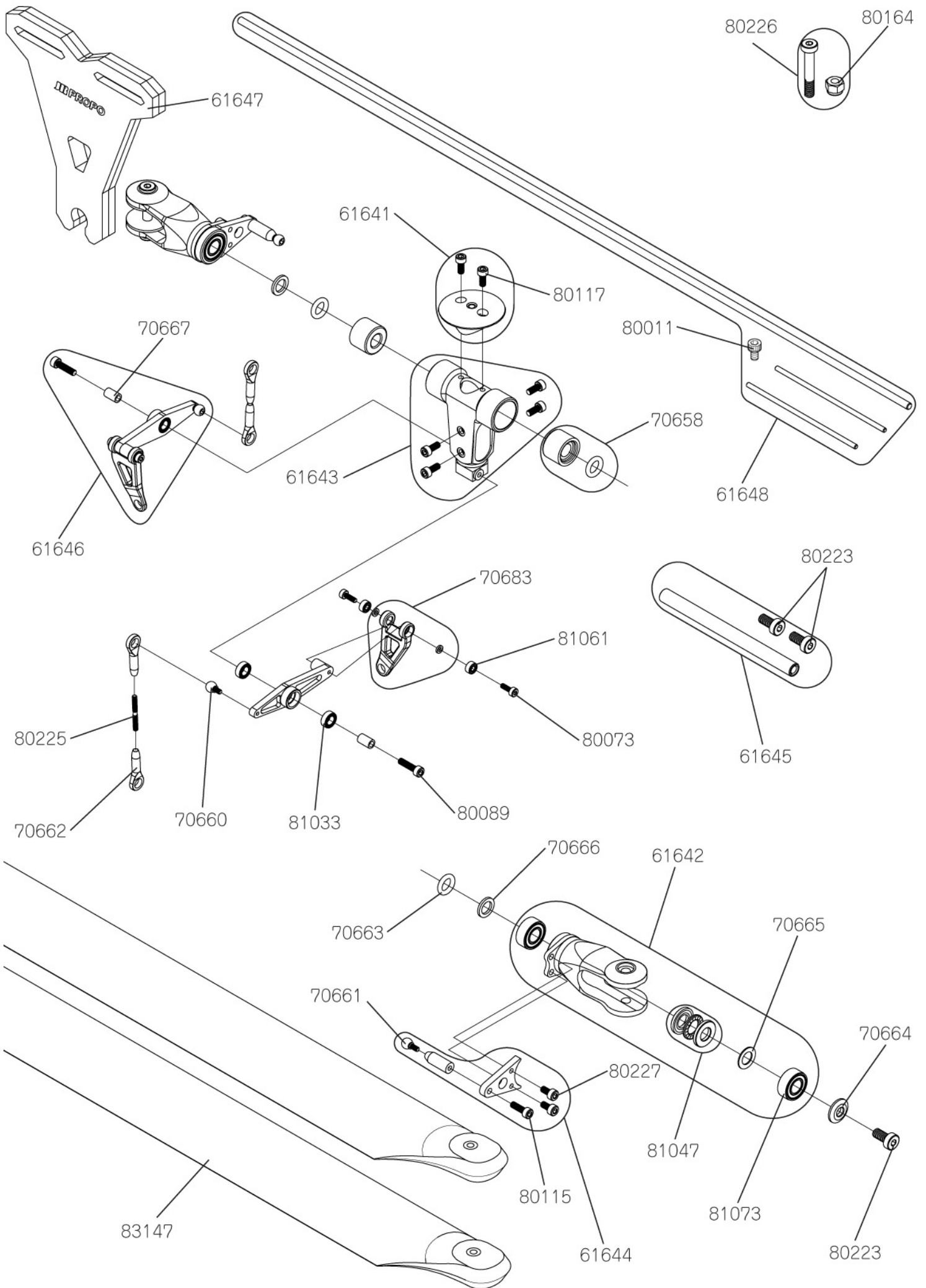
Gear Ratio : 13.6 : 1 : 4.26(T11)

Control System : CCPM140°

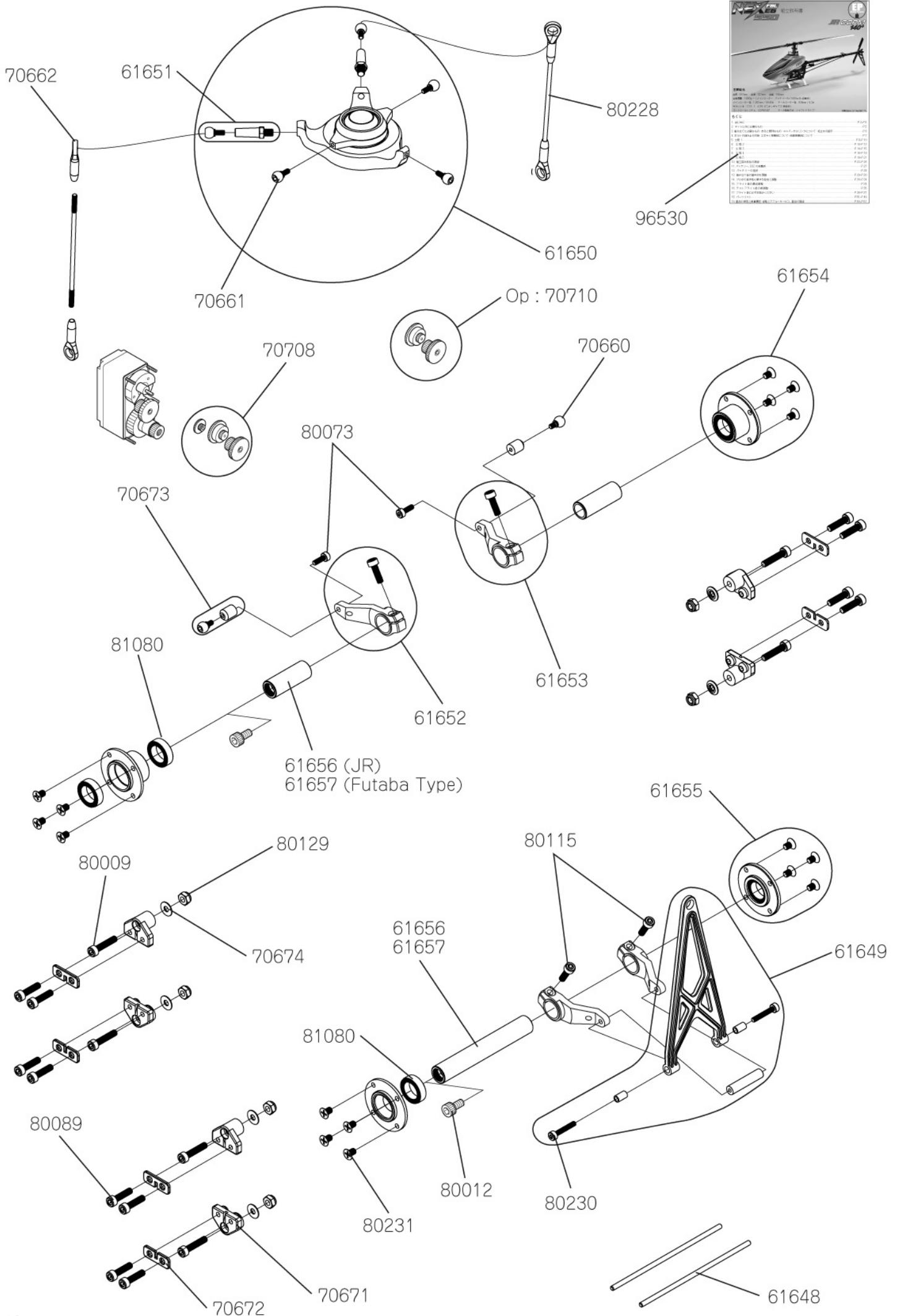
12.5 : 1 : 4.26(T12)

Tail Drive System : Shaft Drive

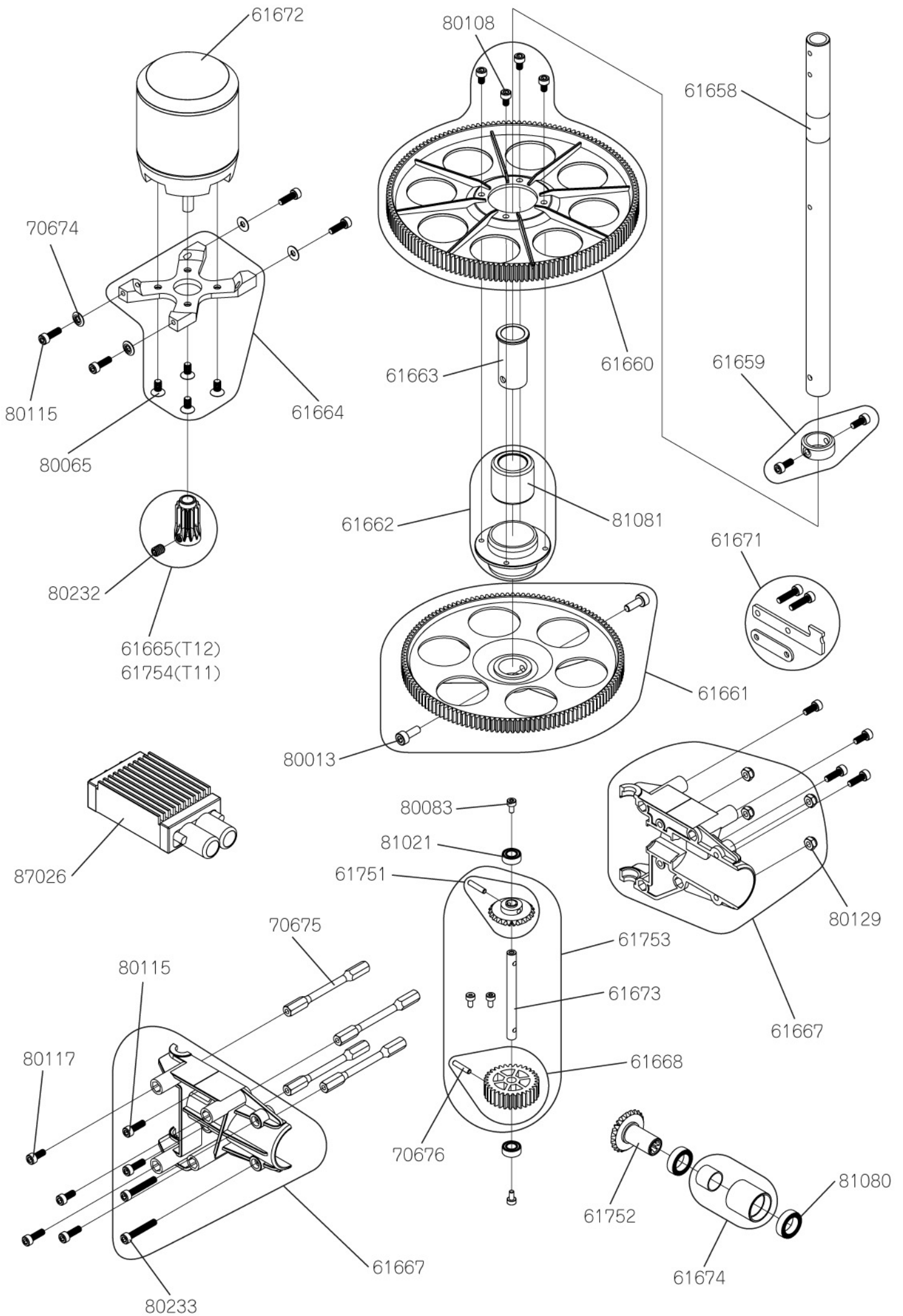
This photo depicts an assembled model



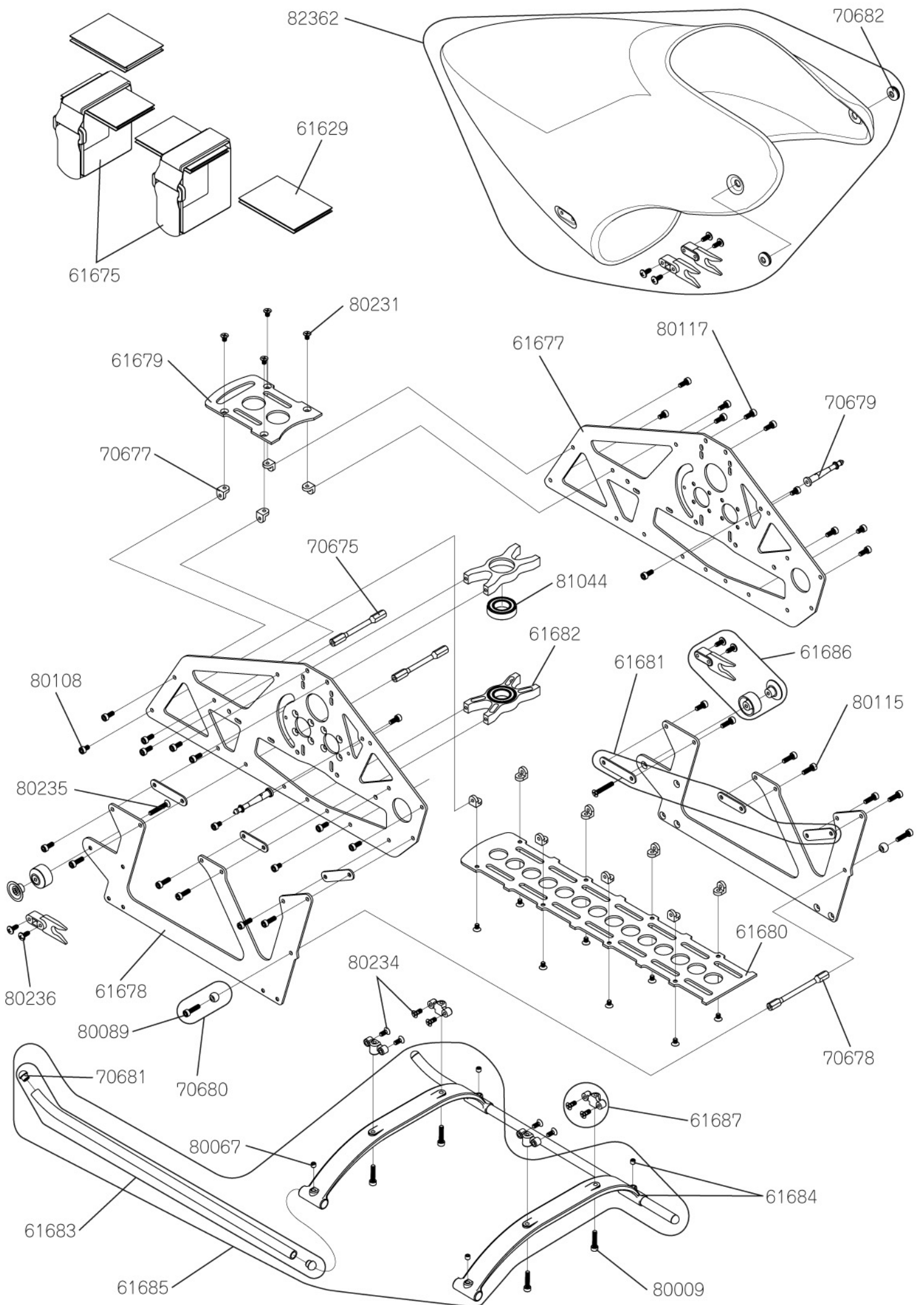
Item #	Description	Quantity	Note
61641	Head Button	1	w/Socket Head Bolt M2.6 × 6
61642	Main Blade Holder Assembly	1	w/Bearing · Thrust Bearing · Washer For 1 set
61643	Center Hub	1	w/Socket Head Bolt M2.6 × 6
61644	Pitch Arm Plate Set	1	w/Joint Ball Spacer t13.5 · Socket Head Bolt
61645	Spindle Shaft	1	w/Low Profile Socket Head Bolt M4 × 8
61646	Washout Arm Assembly	1	w/Bearing · Washout Link · Bolt For 1 set
61647	Blade Holder	1	
61648	Adjustment Parts Set	1	Pitch Adjustment Bar · Alignment Pin · Socket Head Bolt
70658	Rigid Collar Set	2	w/O-Ring 5.8 × 9.6 × 1.9 For 1 kit
70660	Joint Ball Screw L3	5	
70661	Joint Ball Screw L4	5	
70662	Universal Link M2	10	
70663	O-ring 5.8 × 9.6 × 1.9	4	
70664	Washer 4 × 11 × 1.7	2	
70665	Washer 6 × 10 × 0.5	2	
70666	Spacer 6 × 9 × 1	2	
70667	Collar 2.6 × 4 × L6.5	2	
70683	Washout Link	2	w/Washer 2 × 3.5 × 0.7 For 1 kit
80011	Socket Head Bolt M3 × 5	10	
80073	Socket Head Bolt M2 × 6	10	
80089	Socket Head Bolt M2.6 × 10	10	
80115	Socket Head Bolt M2.6 × 8	10	
80117	Socket Head Bolt M2.6 × 6	10	
80164	Nylon Lock Nut M4 (t3.8)	10	
80223	Low Profile Socket Head Bolt M4 × 8	10	
80225	Threaded Rod M2 × 18	2	
80226	Main Blade Bolts Set	1	M4 × 24 For 1 kit
80227	Socket Head Bolt M2.6 × 5	10	
81033	Shielded Bearing 4 × 7 × 2.5	2	L-740ZZ
81047	Thrust Bearing 6 × 12 × 4.5	2	DDT-1260DSG
81061	Shielded Bearing 2 × 5 × 2.3	2	L-520ZZ
81073	Shielded Bearing 6 × 13 × 5	2	L-1360ZZ
83147	Carbon Main Rotor Blades 510	2	



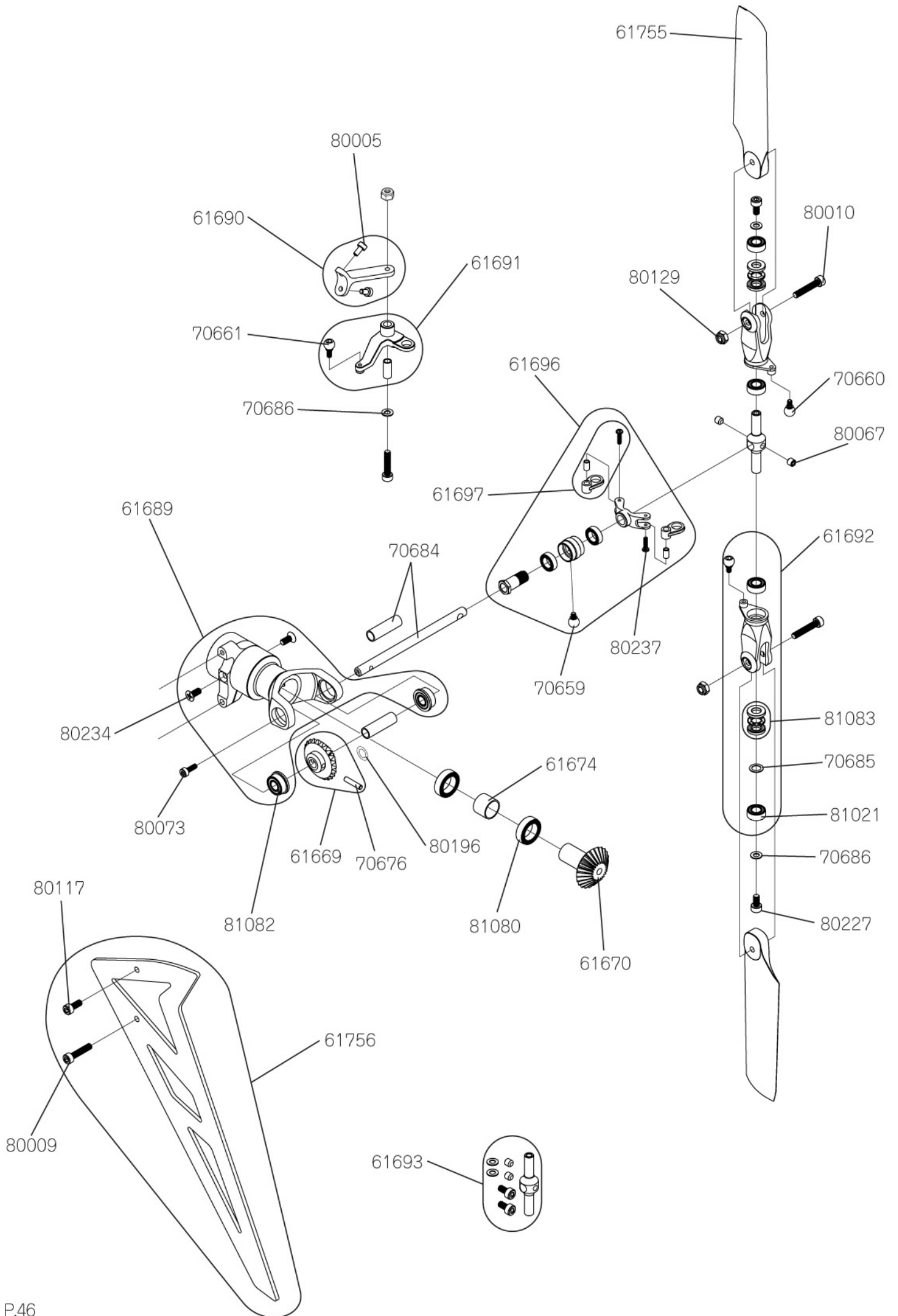
Item #	Description	Quantity	Note
61648	Adjustment Parts Set	1	Pitch Adjustment Bar · Alignment Pin
61649	A-Arm	1	w/A-Arm Collar · A-Arm Inner Collar · Bolts
61650	140° Swashplate Assembly	1	Color : Red w/Swashplate Arm · Joint Ball Screw L4
61651	Swashplate Arm	2	w/Joint Ball Screw L4
61652	Control Lever L	1	Color : Red w/Socket Head Bolt M2.6 × 8
61653	Control Lever R	1	Color : Red w/Socket Head Bolt M2.6 × 8
61654	Control Lever Bearing Block A	1	w/8 × 12 × 3.5 Bearing · Flat Head Screw M2.6 × 4
61655	Control Lever Bearing Block B	1	w/8 × 12 × 3.5 Bearing · Flat Head Screw M2.6 × 4
61656	Control Lever Shaft Set (JR)	1	A · B · Servo Horn Inner For 1 kit
61657	Control Lever Shaft Set (Futaba Type)	1	A · B · Servo Horn Inner For 1 kit Optional
70660	Joint Ball Screw L3	5	
70661	Joint Ball Screw L4	5	
70662	Universal Link M2	10	
70671	Servo Mount C	6	For 1 kit
70672	Servo Mount Plate D	10	Color : Red
70673	Joint Ball Spacer t6.2	2	w/Joint Ball Screw L3
70674	Washer M2.6 × 6.5 × t0.8	10	
70708	Swash Servo Plastic Gear Set (DS11)	3	For 1 kit
70710	Swash Servo Metal Gear Set (DS11)	3	For 1 kit Optional
80009	Socket Head Bolt M2.6 × 12	10	
80012	Socket Head Bolt M3 × 6	10	
80073	Socket Head Bolt M2 × 6	10	
80089	Socket Head Bolt M2.6 × 10	10	
80115	Socket Head Bolt M2.6 × 8	10	
80129	Nylon Lock Nut M2.6	10	
80228	Threaded Rod M2 × 60	2	
80230	Socket Head Bolt M2 × 12	10	
80231	Flat Head Screw M2.6 × 4	10	
81080	Shielded Bearing 8 × 12 × 3.5	2	
96530	Assembly Manual (NEX550)	1	w/Radio Setup Info



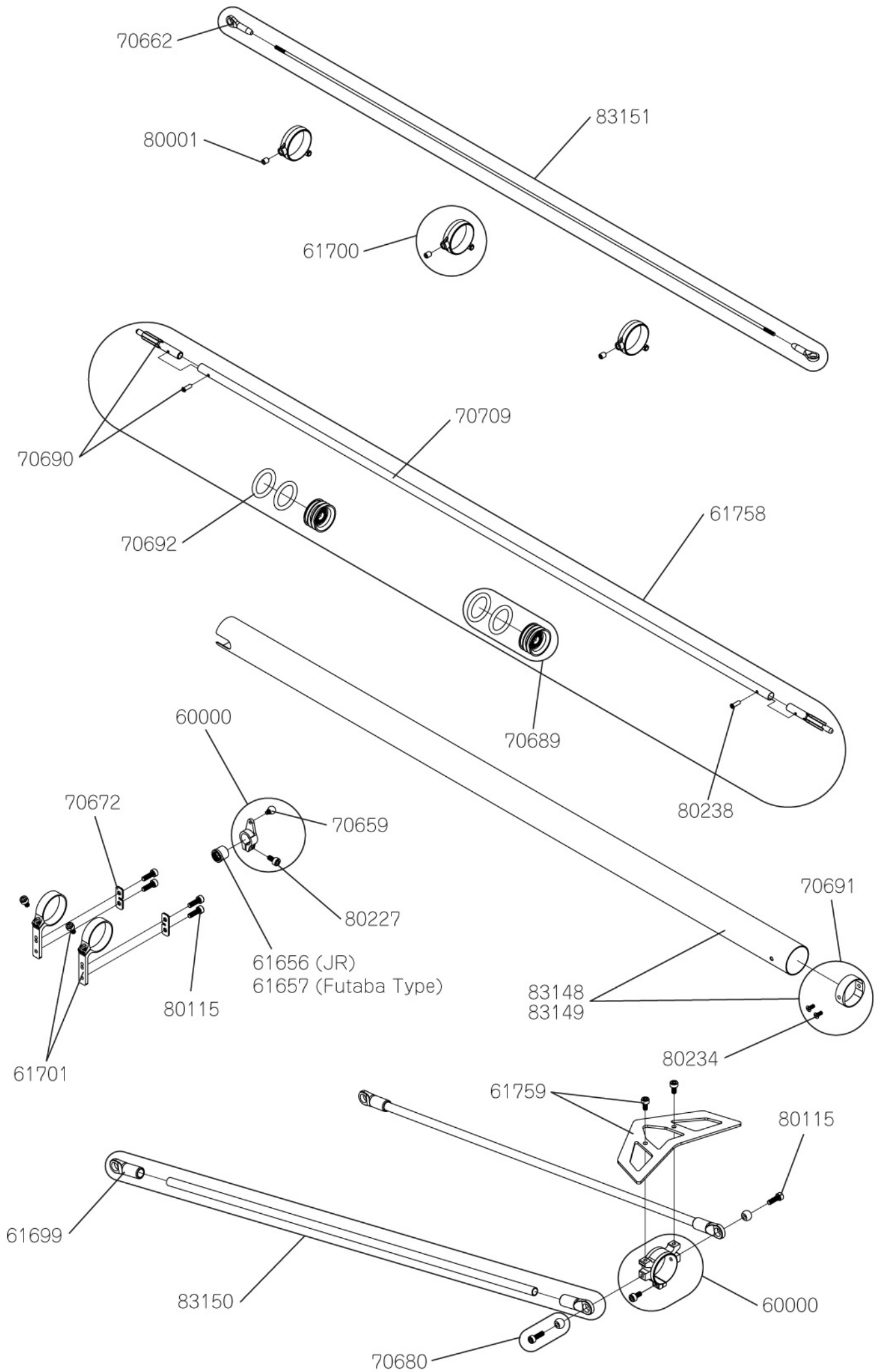
Item #	Description	Quantity	Note
61658	Main Shaft	1	w/Main Shaft Self Locking Nylon Set
61659	Main Shaft Collar	1	w/Socket Head Bolt M2.6 × 6
61660	Main Drive Gear T150	1	w/Socket Head Bolt M2.6 × 4
61661	Tail Drive Gear T132	1	w/Socket Head Bolt M3 × 8
61662	Autorotation Assembly	1	
61663	Autorotation Sleeve	1	
61664	Motor Mount	1	w/Flat Head Screw M3 × 6
61665	Pinion Gear T12	1	w/Setscrew M4 × 5
61667	Tail Gear Unit Set	1	w/Socket Head Bolt M2.6 × 8 · M2.6 × 16 · Nylon Nut
61668	Tail Drive Gear T31	2	w/Tail Shaft Pin
61671	Governor Mount	1	w/Flame Spacer 18 · Socket Head Bolt M2.6 × 12 Optional
61672	Brushless Motor NHM-40-8P	1	KV : 1750
61673	Tail Pinion Gear Shaft	1	w/Tail Shaft Pin
61674	Tail Drive Bearing Holder Set	1	w/Tail Gear Bearing Collar
61751	Tail Bevel Gear A T23 (Metal)	1	w/Tail Shaft Pin
61752	Tail Bevel Gear B T23 (Metal)	1	
61753	Tail Pinion Shaft Assembly	1	for 1 set
61754	Pinion Gear T11	1	w/Setscrew M4 × 5
70674	Washer 2.6 × 6.5 × 0.8	10	
70675	Cross member L47	2	Color : Silver
70676	Tail Shaft Pin	2	2 × 9.5
80013	Socket Head Bolt M3 × 8	10	
80065	Flat Head Screw M3 × 6	10	
80083	Socket Head Bolt M2 × 5	10	
80108	Socket Head Bolt M2.6 × 4	10	
80115	Socket Head Bolt M2.6 × 8	10	
80117	Socket Head Bolt M2.6 × 6	10	
80129	Nylon Lock Nut M2.6	10	
80232	Setscrew M4 × 5	10	
80233	Socket Head Bolt M2.6 × 16	10	
81021	Shielded Bearing 4 × 8 × 3	2	L-840ZZ
81080	Shielded Bearing 8 × 12 × 3.5	2	
81081	One Way Bearing 12 × 18 × 16	1	
87026	ESC NHA-75-SB5	1	75A/BEC 5A



Item #	Description	Quantity	Note
61629	Hook and Loop Fastener L60	2	
61675	Hook and Loop Strap Bk	2	L : 260
61677	Carbon Upper Frame Set	1	L/R
61678	Carbon Lower Frame Set	1	L/R
61679	Carbon Tray S	1	
61680	Carbon Tray L	1	
61681	Main Frame Spacer Set	1	25.1 · 18 For 1 kit
61682	Bearing Block w/Bearing	1	
61683	Landing Skid	2	w/Skid Cap
61684	Landing Strut	2	w/Setscrew M3 × 3
61685	Landing Gear Set	1	For 1 Unit
61686	Body Catch Block Set	1	A · B · Body Catch Plate · Self Tapping Screw For 1 Kit
61687	Landing Strut Bracket	4	w/Flat Head Screw M2.6 × 6
70675	Cross member L47	2	Color : Silver
70677	Mount Bracket	4	
70678	Cross member L52	2	Color : Red
70679	Body Catch L26.5	2	
70680	Tail Boom Support Ball	4	w/Socket Head Bolt M2.6 × 8 · M2.6 × 10
70681	Skid Cap	4	
70682	Rubber Grommet	4	
80009	Socket Head Bolt M2.6 × 12	10	
80067	Setscrew M3 × 3	10	
80089	Socket Head Bolt M2.6 × 10	10	
80108	Socket Head Bolt M2.6 × 4	10	
80115	Socket Head Bolt M2.6 × 8	10	
80117	Socket Head Bolt M2.6 × 6	10	
80231	Flat Head Screw M2.6 × 4	10	
80234	Flat Head Screw M2.6 × 6	10	
80235	Flat Head Screw M2.6 × 16	10	
80236	Self Tapping Screw M2.6 × 6	10	
81044	Shielded Bearing 10 × 19 × 5	2	L-1910ZZ
82362	FRP Body (NEX550)	1	For 1 set



Item #	Description	Quantity	Note
61669	Tail Bevel Gear A T23	2	w/Tail Shaft Pin
61670	Tail Bevel Gear B T23	2	
61674	Tail Drive Bearing Holder Set	1	w/Tail Gear Bearing Collar
61689	Tail Gear Case Assembly	1	w/Bearing · Flat Head Screw M2.6 × 6
61690	Tail Pitch Control Base	1	w/Socket Head Bolt M2 × 4
61691	Tail Pitch Control Lever	1	For 1 set
61692	Tail Blade Holder	2	w/L-840ZZ Bearing · Thrust Bearing For 1 kit
61693	Tail Center Hub	1	w/Socket Head Bolt · Setscrew · Washer
61696	Tail Slide Ring Assembly	1	w/Bearing · Tail PC Plate · Joint Ball Screw L2
61697	Tail PC Link	2	w/Tail PC Link Collar · Pan Head Bolt M1.6 × 6
61755	Carbon Tail Rotor Blade L82	2	
61756	Carbon Vertical Fin	1	w/Socket Head Bolt M2.6 × 12
70659	Joint Ball Screw L2	5	
70660	Joint Ball Screw L3	5	
70661	Joint Ball Screw L4	5	
70676	Tail Shaft Pin	2	2 × 9.5
70684	Tail Output Shaft	1	w/Spacer 4 × 5 × 16.7
70685	Washer 4 × 6 × 0.3	2	
70686	Washer 2.6 × 5 × 0.4	2	
80005	Socket Head Bolt M2 × 4	10	
80009	Socket Head Bolt M2.6 × 12	10	
80010	Socket Head Bolt M2.6 × 15	10	
80067	Setscrew M3 × 3	10	
80073	Socket Head Bolt M2 × 6	10	
80117	Socket Head Bolt M2.6 × 6	10	
80129	Nylon Lock Nut M2.6	10	
80196	Poly Slider 4.1 × 6.5 × 0.13	5	
80227	Socket Head Bolt M2.6 × 5	10	
80234	Flat Head Screw M2.6 × 6	10	
80237	Pan Head Bolt M1.6 × 6	10	
81021	Shielded Bearing 4 × 8 × 3	2	L-840ZZ
81080	Shielded Bearing 8 × 12 × 3.5	2	
81082	Flanged Bearing F 4 × 9 × 4	2	
81083	Thrust Bearing 4 × 8 × 3.5	2	

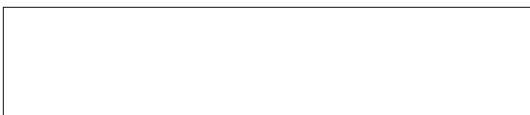


Item #	Description	Quantity	Note
61656	Control Lever Shaft Set (JR)	1	w/A · B · Servo Horn Inner For 1 kit
61657	Control Lever Shaft Set (Futaba Type)	1	w/A · B · Servo Horn Inner For 1 kit Optional
61699	Tail Boom Brace End	4	
61700	Tail Rod Guide E Set	1	w/Setscrew M3 × 4 For 1 kit
61701	Rudder Servo Mount	2	w/Socket Head Bolt M2.6 × 5
61703	Metal Servo Horn	1	w/Joint Ball Screw L2 · Socket Head Bolt M2.6 × 5
61757	Tail Boom Brace Clamp	1	w/Socket Head Bolt M2.6 × 5
61758	Tail Drive Shaft Set	1	w/Drive Shaft Joint · Shaft Drive Guide
61759	Carbon Horizontal Fin	1	w/Socket Head Bolts
70659	Joint Ball Screw L2	5	
70662	Universal Link M2	10	
70672	Servo Mount Plate D	10	Color : Red
70680	Tail Boom Support Ball	4	w/Socket Head Bolt M2.6 × 8 · M2.6 × 10
70689	Shaft Drive Guide	2	w/5 × 8 × 2.5 Bearing · O-Ring 13.8 × 18.6 × 2.4
70690	Drive Shaft Joint	2	w/Pan Head Bolt M2 × 6
70691	Tail Boom Inner Collar	1	w/Flat Head Screw M2.6 × 6
70692	O-Ring 13.8 × 18.6 × 2.4	4	
70709	Tail Drive Shaft	1	L568
80001	Setscrew M3 × 4	10	
80115	Socket Head Bolt M2.6 × 8	10	
80227	Socket Head Bolt 2.6 × 5	10	
80234	Flat Head Screw M2.6 × 6	10	
80238	Pan Head Bolt M2 × 6	10	
83148	Carbon Tail Boom L568.5	1	w/Tail Boom Inner Collar · Pan Head Bolt M2.6 × 6
83149	Aluminum Tail Boom L568.5	1	Optional
83150	Carbon Tail Boom Brace L400	2	w/Tail Boom Brace End
83151	Tail Control Rod L512	1	w/Universal Link M2

Fly. and catch the sky with JR!

JR PROPO[®]

WWW.JRPROPO.CO.JP



May. 2012

NEX E6-550 Assembly Manual Version 1

The product and the contents of these instructions are subject to change without notice due to improvement.